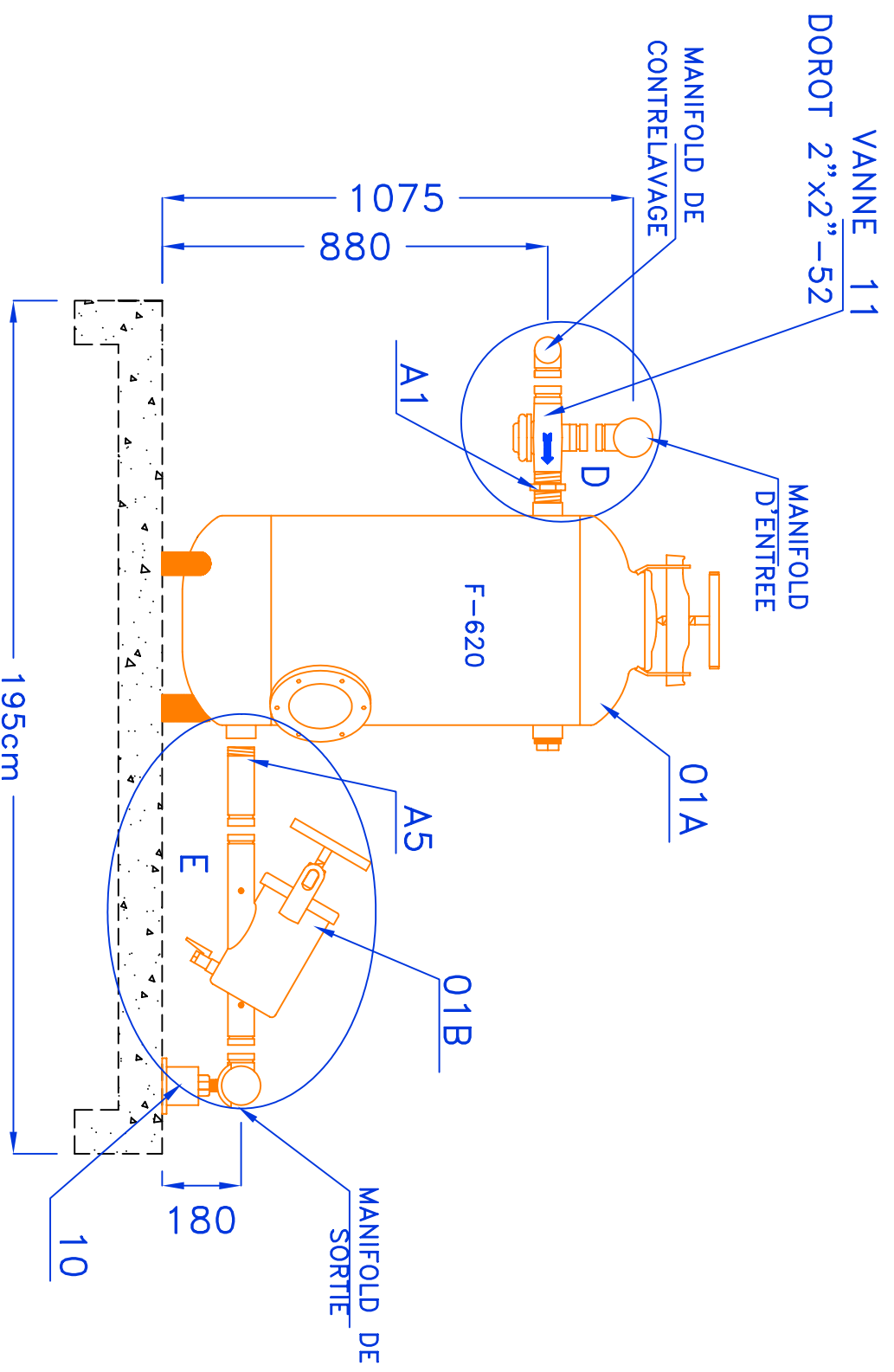


NETAFIM France,
 Quartier Battesti RN7
 Palette 13100 LE THOLONET FRANCE
 Tel : 33 (0)4 42 66 83 53
 Fax : +33 (0)4 42 66 87 86

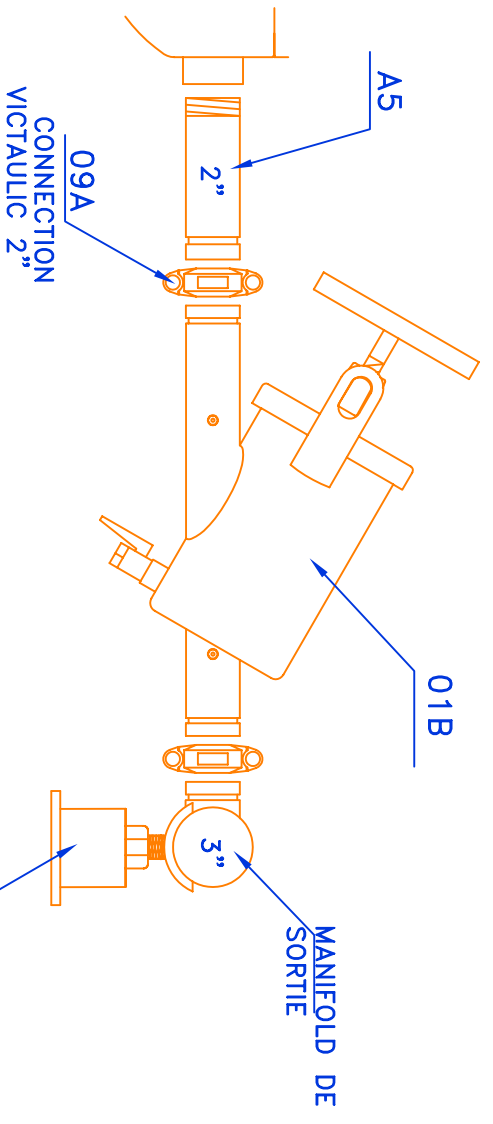
WATER SOURCE:	DRAWN: LARISA	SCALE: N/A	DATE: 17.03.10
INLET PRESSURE:	CHECKED: HAIM	COUNTRY:	
FLOW RATE: M ³ /H	APPROVED: ARYE	CLIENT:	
	PROJECT: NETAFIM FRANCE		
DRWG. NAME: 2 x 20" + 2 x F 320			



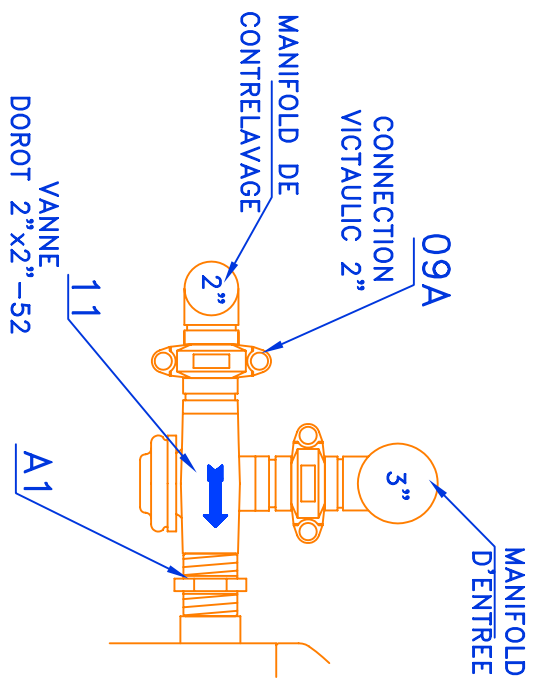
VIEW B



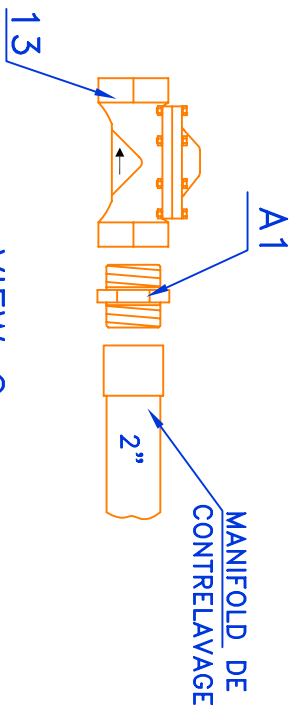
NETAFIM France, Quartier Battesti RN7 Palte 13100 LE THOLONET FRANCE Tel : 33 (0)4 42 66 83 53 Fax : +33 (0)4 42 66 87 86		DRAWN: LARISA		SCALE: N/A	DATE: 17.03.10
WATER SOURCE:		CHECKED: HAIM	COUNTRY:		
INLET PRESSURE:		APPROVED: ARYE	CLIENT:		
FLOW RATE	M ³ /H	PROJECT: NETAFIM FRANCE			
DISK: SYS-NET DWG: M03-620-320-NF		PAGE: 2 OF 4 PAGES		DWG. NAME: 2 x 20" + 2 x F 320	



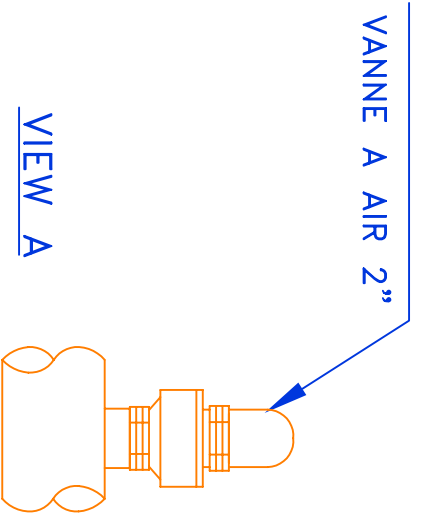
VIEW E



VIEW D



VIEW C

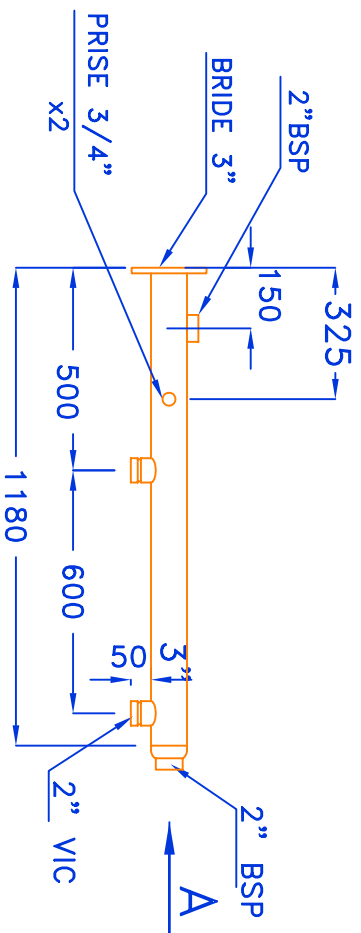


VIEW A

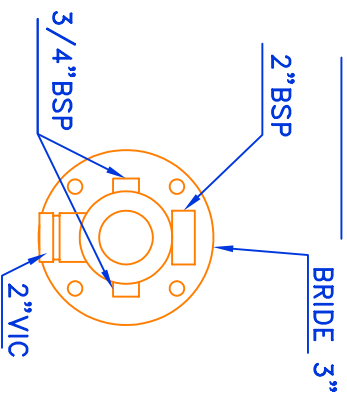


NETAFIM France, Quartier Battesti RN7 Palette 13100 LE THOLONET FRANCE Tel : 33 (0)4 42 66 83 53 Fax : +33 (0)4 42 66 87 86		DRAWN: LARISA CHECKED: HAIM APPROVED: ARYE PROJECT: NETAFIM FRANCE	
WATER SOURCE: INLET PRESSURE: FLOW RATE: M /H		SCALE: N/A COUNTRY: CLIENT:	
DISK: SYS-NET DWG: MO3-620-320-NF PAGE: 3 OF 4 PAGES		DATE: 17.03.10 DWG. NAME: 2 x 20" + 2 x F 320	

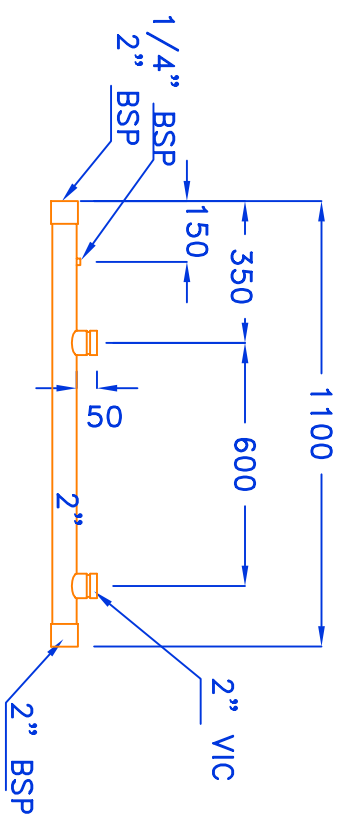
04 * 1 UNIT



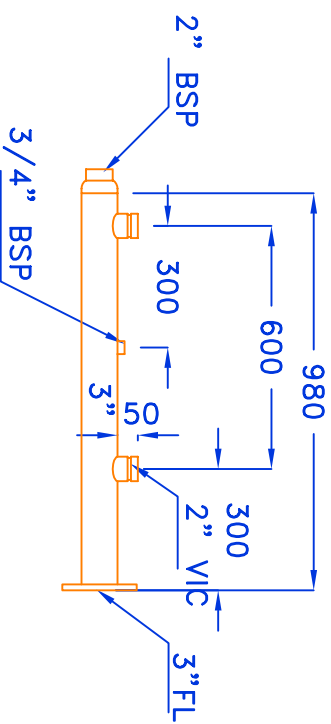
View A



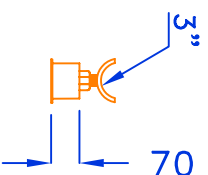
06 * 1 UNIT



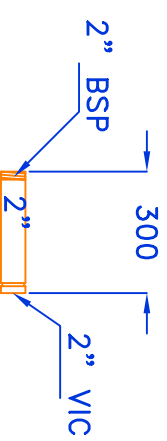
05 * 1 UNIT



A5 * 2 UNIT



10 * 1 UNIT



NETAFIM France, Quartier Battesti RN7 Palatte 13100 LE THOLONET FRANCE Tel : 33 (0)4 42 66 83 53 Fax : +33 (0)4 42 66 87 86		DRAWN: LARISA		SCALE: N/A	DATE: 17.03.10
WATER SOURCE:		CHECKED: HAIM	COUNTRY:		
INLET PRESSURE:		APPROVED: ARYE	CLIENT:		
FLOW RATE	M ³ /H	PROJECT: NETAFIM FRANCE			
DISK: SYS-NET DWG: M03-620-320-NF		PAGE: 4 OF 4 PAGES		DWG. NAME: 2 X 20" + 2 X F 320	