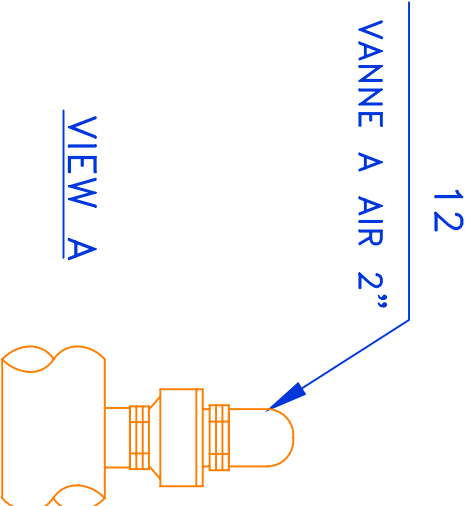
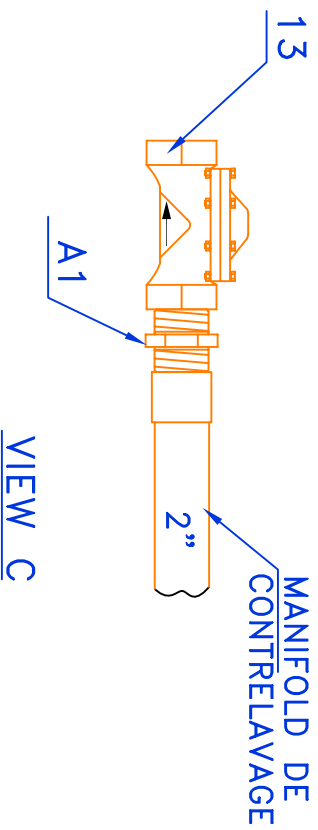
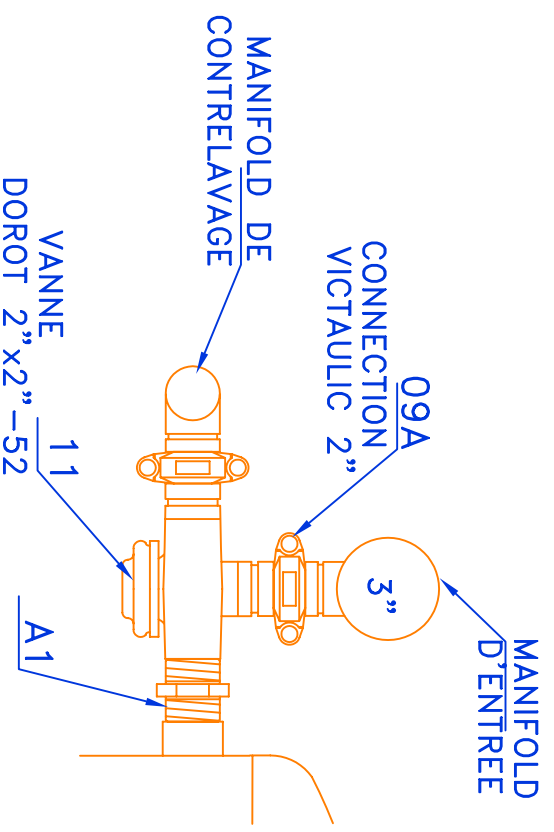
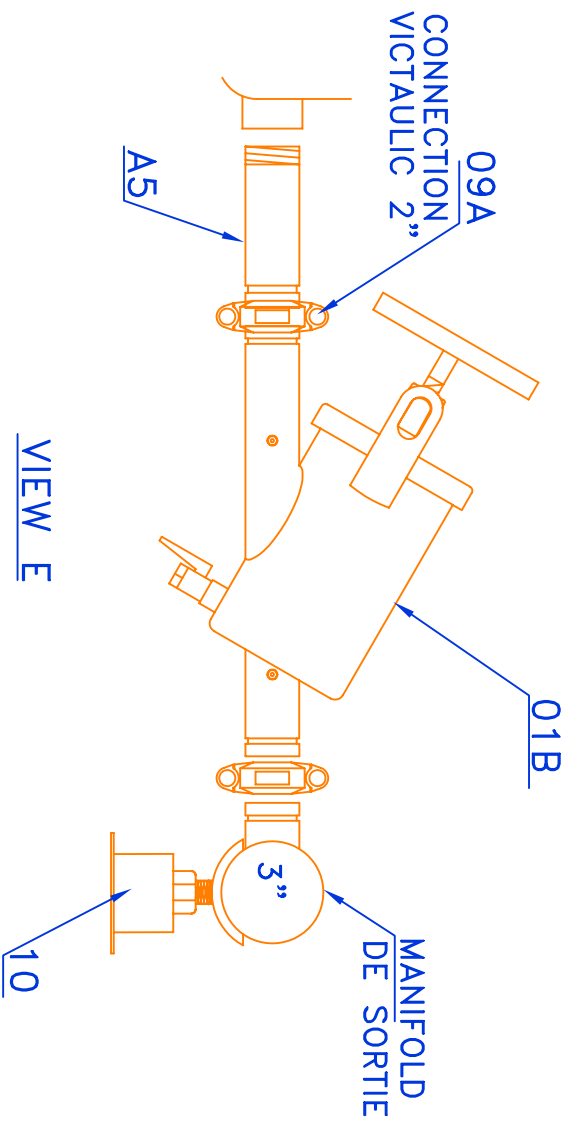
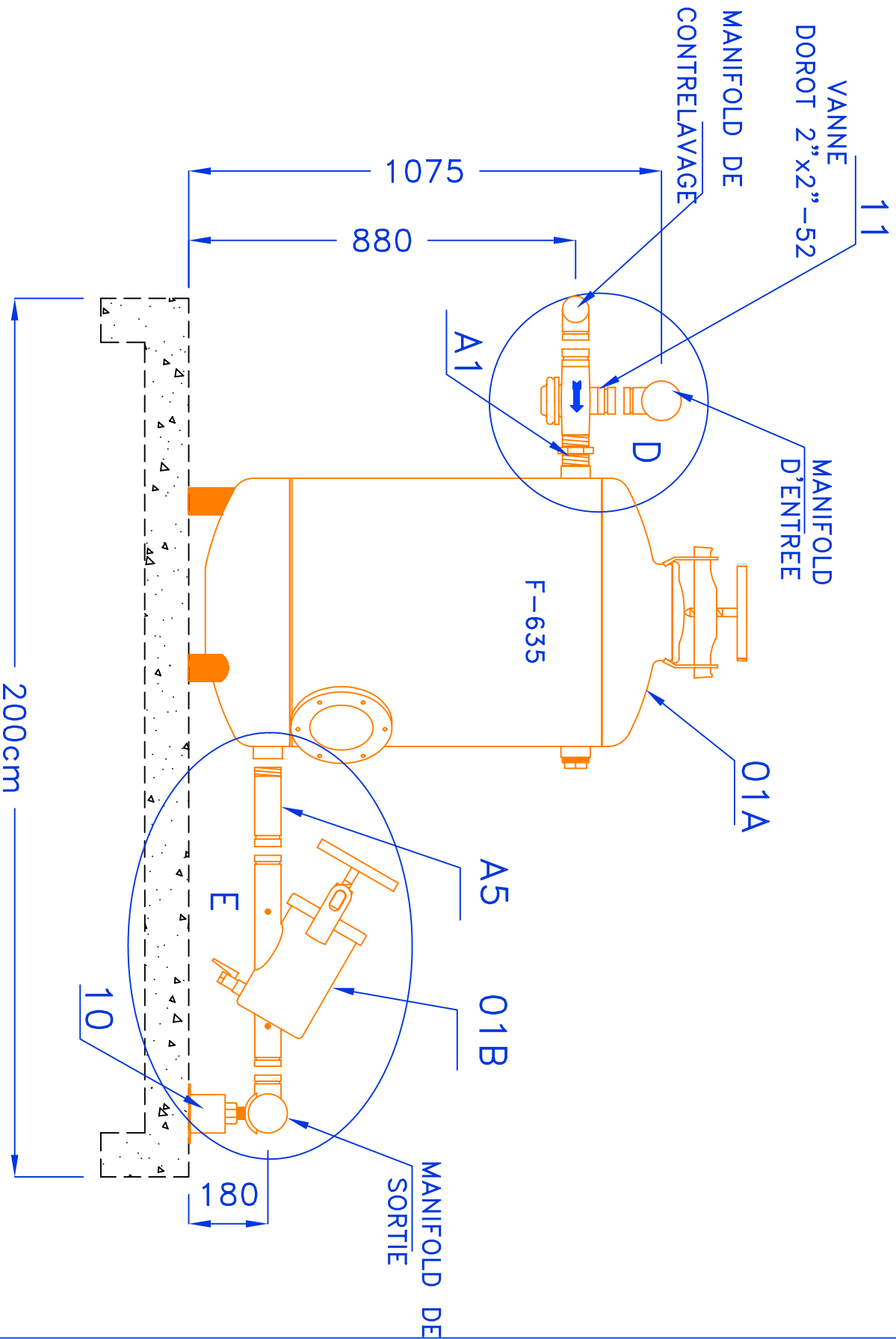


NETAFIM France, Quartier Battesti RN7 Palette 13100 LE THOLONET FRANCE Tel : 33 (0)4 42 66 83 53 Fax : +33 (0)4 42 66 87 86		WATER SOURCE: INLET PRESSURE: FLOW RATE M / H	DRAWN: LARISA CHECKED: HAIM APPROVED: HAIM	SCALE: N/A DATE: 21.03.10 COUNTRY: CLIENT:
DISK: SYS-NET DWG NO: 02-635-320-NF		PROJECT: NETAFIM FRANCE DWG. NAME: 2 x 25" x F320		PAGE 1 OF 4 PAGES



NETAFIM France, Quartier Battesti RN7 Palette 13100 LE THOLONET FRANCE Tel : 33 (0)4 42 66 83 53 Fax : +33 (0)4 42 66 87 86		WATER SOURCE: INLET PRESSURE: FLOW RATE: M /H		DRAWN: LARISA CHECKED: HAIMI APPROVED: ARYE PROJECT: NETAFIM FRANCE	
DISK: SYS-NET DWG: NB2-635-320-NF		PAGE 3 OF 4 PAGES		SCALE: N/A DATE: 21.03.10	
NETAFIM France, Quartier Battesti RN7 Palette 13100 LE THOLONET FRANCE Tel : 33 (0)4 42 66 83 53 Fax : +33 (0)4 42 66 87 86		WATER SOURCE: INLET PRESSURE: FLOW RATE: M /H		DRAWN: LARISA CHECKED: HAIMI APPROVED: ARYE PROJECT: NETAFIM FRANCE	
DISK: SYS-NET DWG: NB2-635-320-NF		PAGE 3 OF 4 PAGES		SCALE: N/A DATE: 21.03.10	
NETAFIM GROW MORE WITH LESS		NETAFIM FRANCE		2 X 25" X F320	



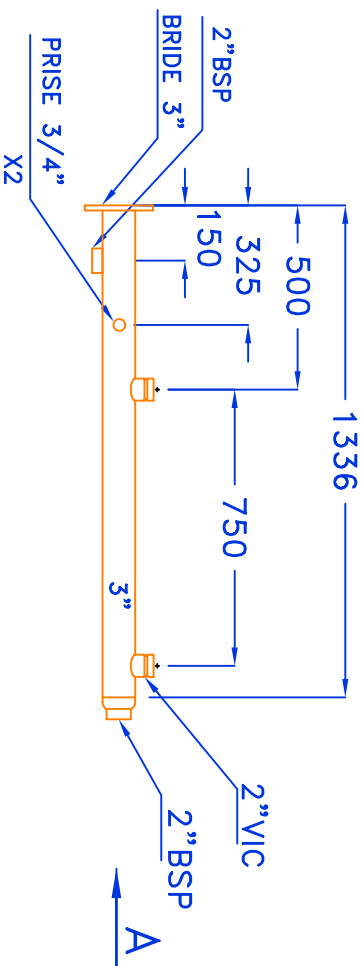


VIEW B

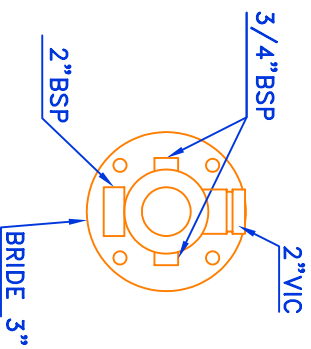


NETAFIM France, Quartier Battesti RN7 Palette 13100 LE THOLONET FRANCE Tel : 33 (0)4 42 66 83 53 Fax : +33 (0)4 42 66 87 86		NETAFIM France, Quartier Battesti RN7 Palette 13100 LE THOLONET FRANCE Tel : 33 (0)4 42 66 83 53 Fax : +33 (0)4 42 66 87 86	
WATER SOURCE:	INLET PRESSURE:	FLOW RATE	M /H
DRAWN:	CHECKED:	APPROVED:	CLIENT:
LARISA	HAIM	HAIM	
SCALE: N/A	COUNTRY:	DATE: 21.03.10	
PROJECT:	NETAFIM FRANCE		
DWG. NAME:	2 X 25" X F320		

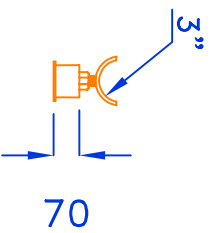
04 * 1 UNIT



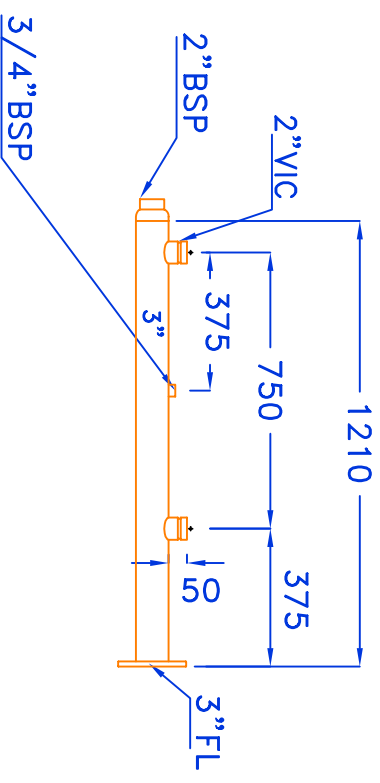
View A



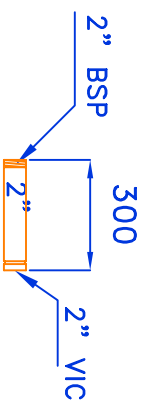
10A * 1 UNIT



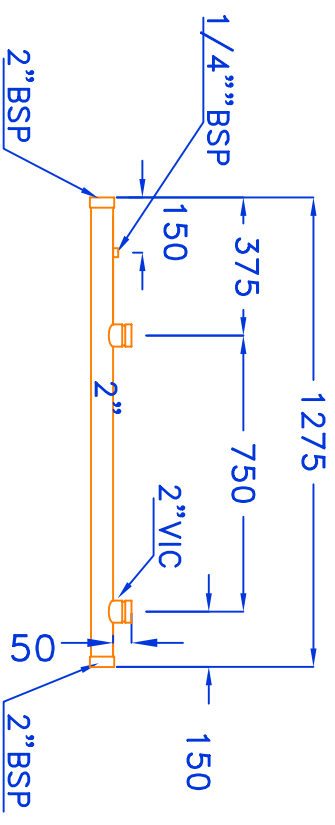
05 * 1 UNIT



A5 * 2 UNIT



06 * 1 UNIT



NETAFIM France, Quartier Battesti RN7 Palète 13100 LE THOLONET FRANCE Tel : 33 (0)4 42 66 83 53 Fax : +33 (0)4 42 66 87 86		DRAWN: LARISA		SCALE: N/A	DATE: 21.03.10
WATER SOURCE:		CHECKED: HAIM	COUNTRY:		
INLET PRESSURE:		APPROVED: ARYE	CLIENT:		
FLOW RATE	M / H	PROJECT: NETAFIM FRANCE			
DISK: SYS-NET		DWG NO: 635-320-NF		PAGE 4 OF 4 PAGES	DWG. NAME: 2 X 25" X F320