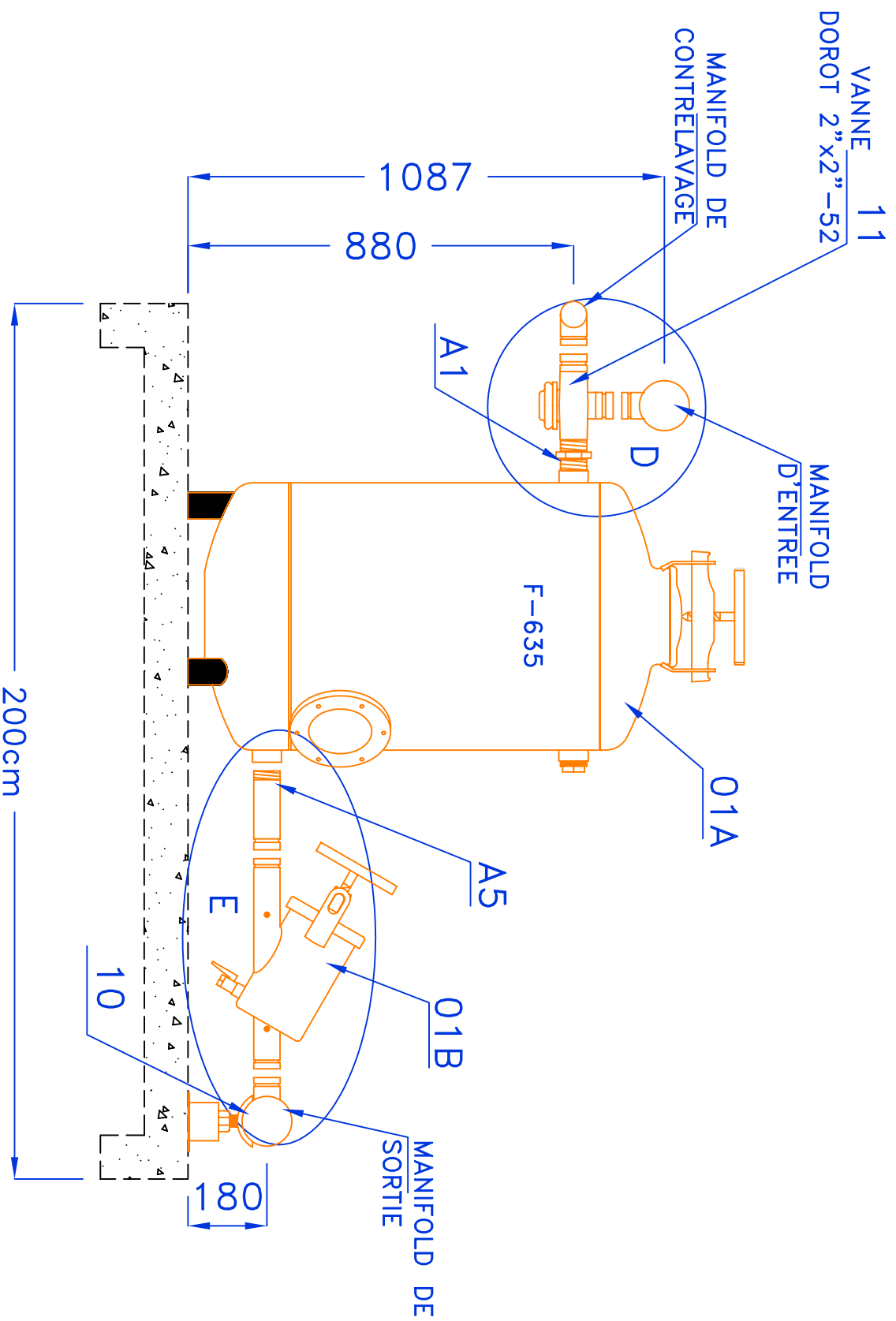


NETAFIM France,
 Quartier Battesti RN7
 Palette 13100 LE THOLONET FRANCE
 Tel : 33 (0)4 42 66 83 53
 Fax : +33 (0)4 42 66 87 86

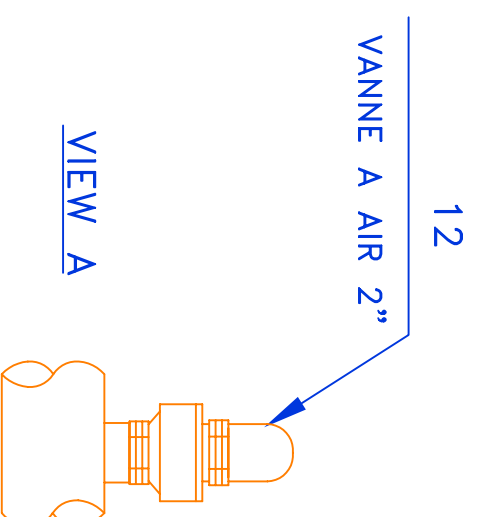
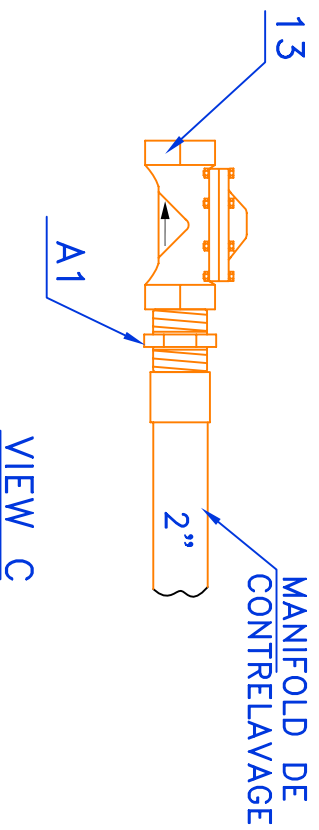
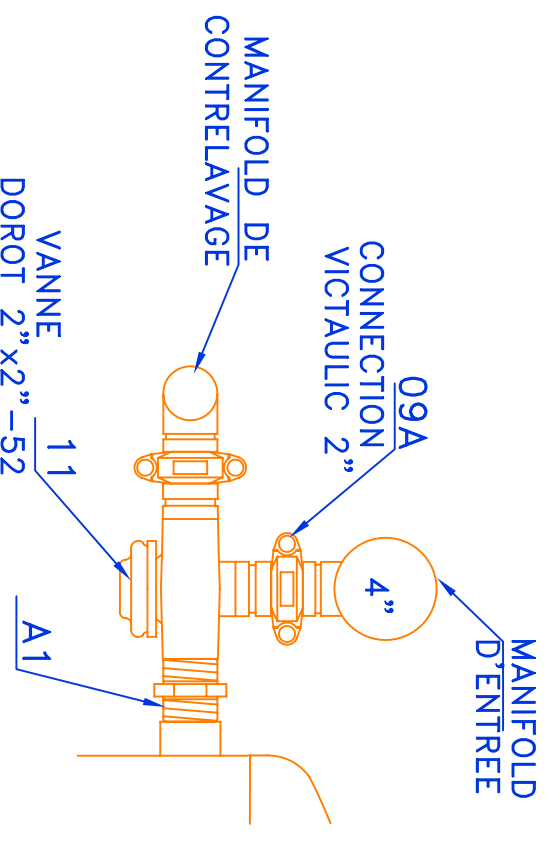
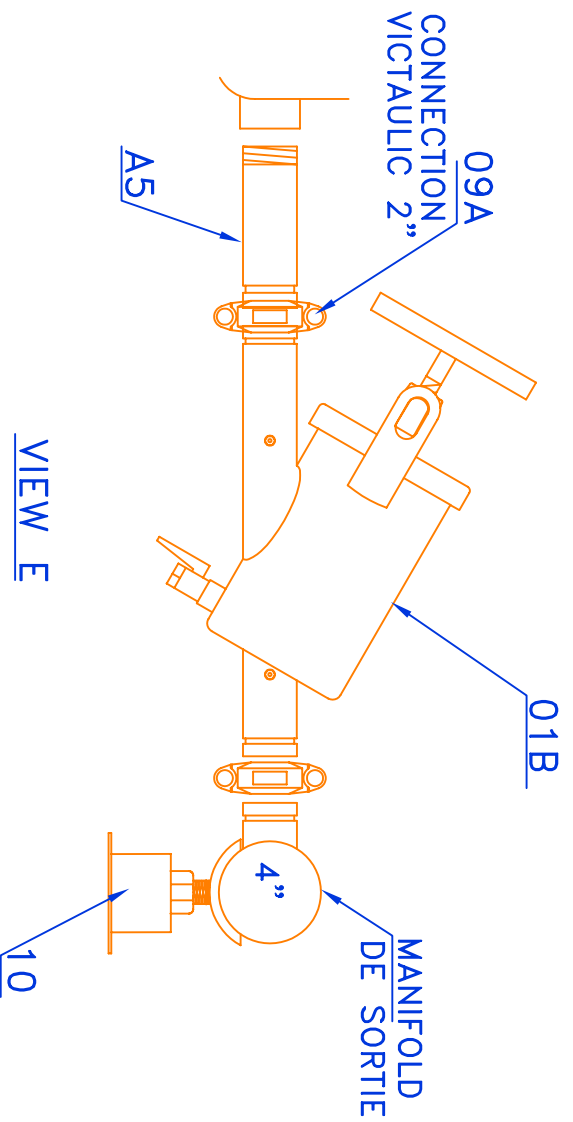
WATER SOURCE:		DRAWN:	LARISA	SCALE:	N/A	DATE:	21.07.10
INLET PRESSURE:		CHECKED:	HAIM	COUNTRY:			
FLOW RATE:		M ³ /H	APPROVED:	ARTE	CLIENT:		
			PROJECT:		NETAFIM FRANCE		
DISK: SYS-NET		DWG: 00k635+04x320-NF	PAGE: 1 OF 5		DWG. NAME: 4 X 25" +4 X F320		



VIEW B

NETAFIM France, Quartier Battesti RN7 Palatte 13100 LE THOLONET FRANCE Tel : 33 (0)4 42 66 83 53 Fax : +33 (0)4 42 66 87 86		DRAWN: LARISA		SCALE: N/A	DATE: 21.07.10
WATER SOURCE:		CHECKED: HAIM		COUNTRY:	
INLET PRESSURE:		APPROVED: ARYE		CLIENT:	
FLOW RATE:	M / H	PROJECT: NETAFIM FRANCE			
DISK: SYS-NET		DWG: 04x635+04x320-NF		PAGE: 2 OF 5 PAGES	
		DWG. NAME: 4 X 25"		+4 X F320	





NETAFIM France, Quartier Battesti RN7 Palette 13100 LE THOLONET FRANCE Tel : 33 (0)4 42 66 83 53 Fax : +33 (0)4 42 66 87 86		DRAWN: LARISA		SCALE: N/A	DATE: 21.07.10
WATER SOURCE:	INLET PRESSURE:	CHECKED: HAIM	COUNTRY:		
FLOW RATE	M /H	APPROVED: ARYE	CLIENT:		
PROJECT: NETAFIM FRANCE					
DISK: SYS-NET		DWG: 04x635+04x320-N		PAGE 3 OF 5 PAGES	
NETAFIM		DWG. NAME: 4 X 25" +4 X F320			

