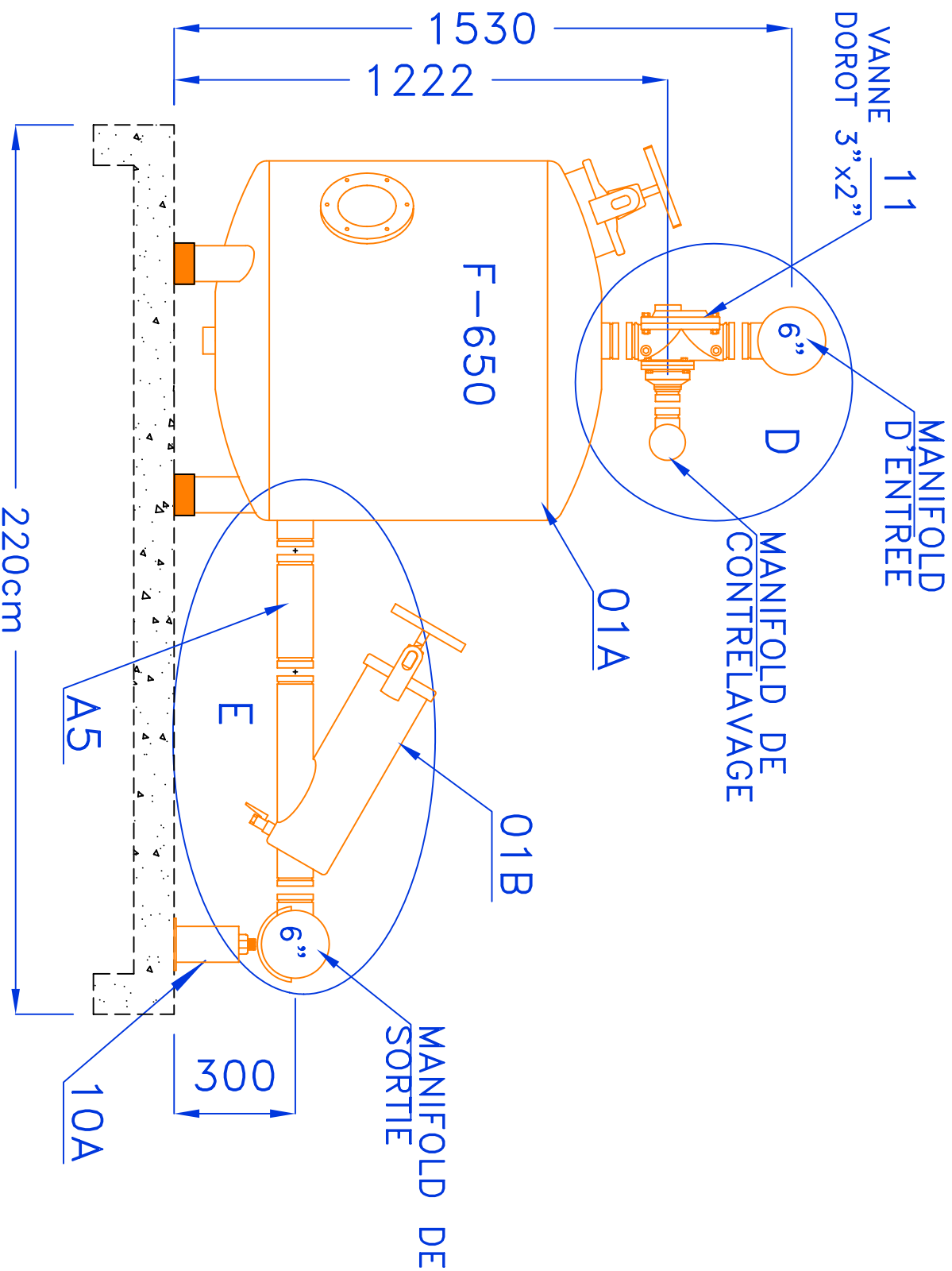


<b>NETAFIM France,</b> Quartier Battesti RN7 Palette 13100 LE THOLONET FRANCE Tel : 33 (0)4 42 66 83 53 Fax : +33 (0)4 42 66 87 86		<b>NETAFIM France,</b> Quartier Battesti RN7 Palette 13100 LE THOLONET FRANCE Tel : 33 (0)4 42 66 83 53 Fax : +33 (0)4 42 66 87 86		WATER SOURCE: INLET PRESSURE: FLOW RATE: M / H		DRAWN: <b>LARISA</b> CHECKED: <b>HAIM</b> APPROVED: <b>ARYE</b>		SCALE: <b>N/A</b> COUNTRY: CLIENT:		DATE: <b>06.07.10</b>	
DISK: <b>HAIM</b> DWG: <b>86x650+4x330-NF</b>		PAGE: <b>1</b> OF <b>5</b> PAGES		PROJECT: <b>NETAFIM FRANCE</b> <b>4 X 36" + 4 X F330</b>		DWG. NAME:					



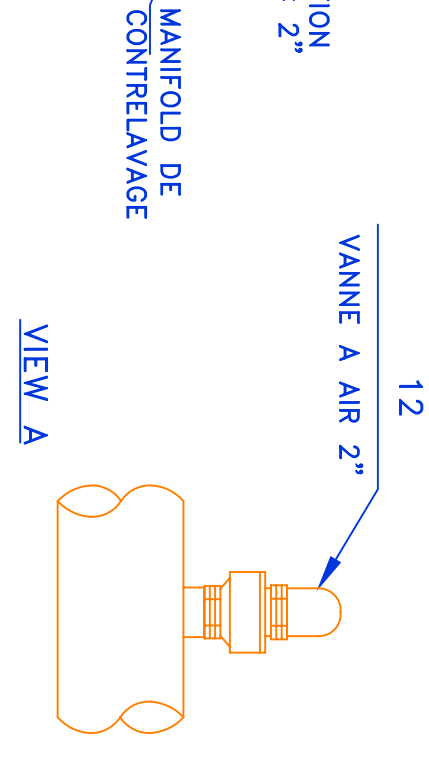
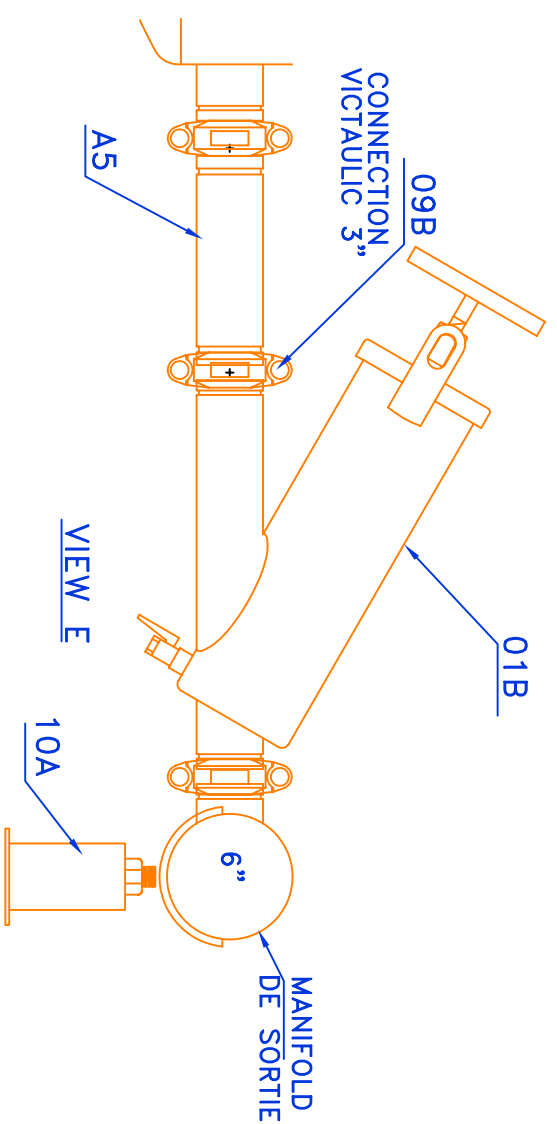
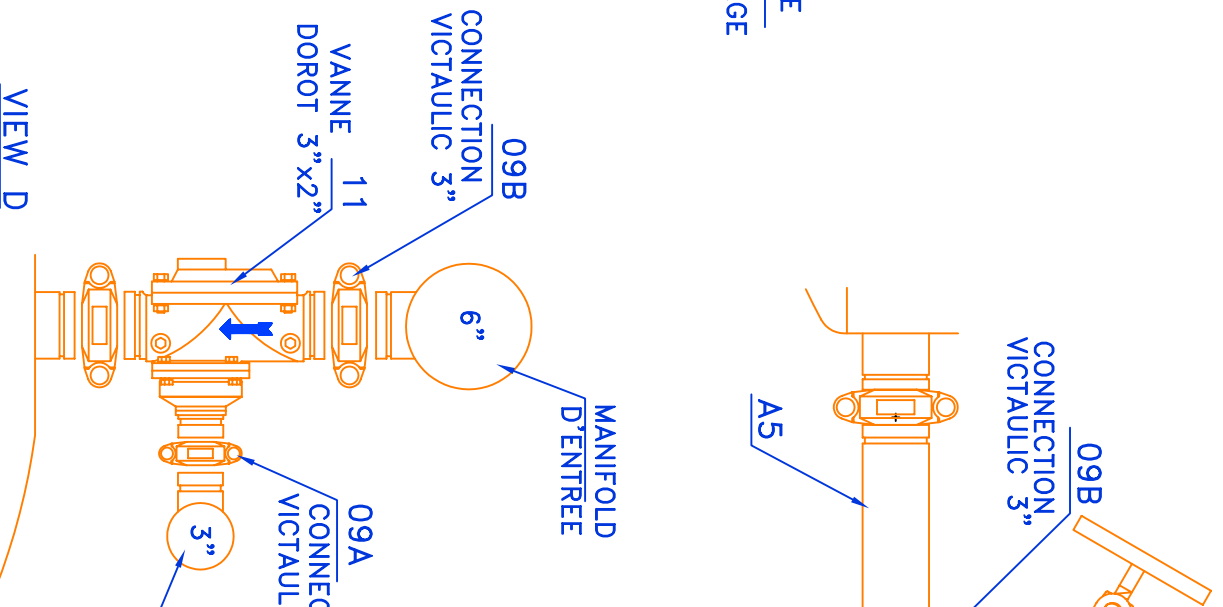
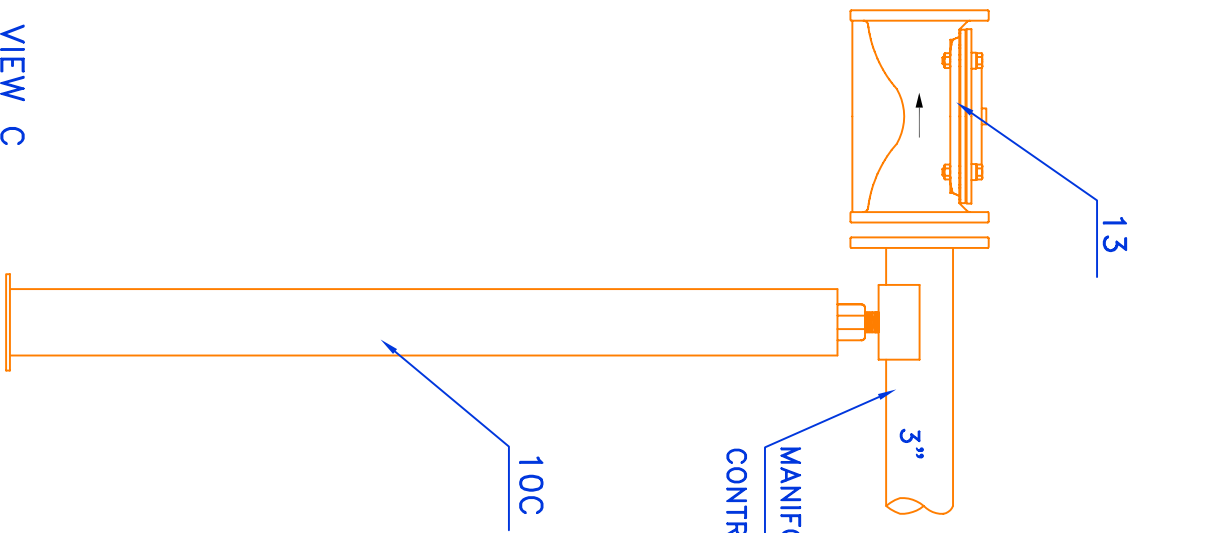
VIEW B



NETAFIM France,  
 Quartier Battesti RN7  
 Palette 13100 LE THOLONET FRANCE  
 Tel : 33 (0)4 42 66 83 53  
 Fax : +33 (0)4 42 66 87 86

WATER SOURCE:	
INLET PRESSURE:	
FLOW RATE	M /H

DRAWN:	LARISA	SCALE:	N/A	DATE:	06.07.10
CHECKED:	HAIM	COUNTRY:			
APPROVED:	ARYE	CLIENT:			
PROJECT:	NETAFIM FRANCE				
DWG. NAME:	4 X 36" +4 X F330				



VIEW C

VIEW D

VIEW E

VIEW A

<b>NETAFIM France,</b> Quartier Battesti RN7 Palette 13100 LE THOLONET FRANCE Tel : 33 (0)4 42 66 83 53 Fax : +33 (0)4 42 66 87 86		WATER SOURCE: INLET PRESSURE: FLOW RATE: M <sup>3</sup> /H	DRAWN: <b>LARISA</b> CHECKED: <b>HAIM</b> APPROVED: <b>ARYE</b> PROJECT: <b>NETAFIM FRANCE</b>
DISK: <b>HAIM</b> DWG: <b>066650+4x330-NF</b>	PAGE <b>3</b> OF <b>5</b> PAGES	SCALE: <b>N/A</b> COUNTRY:	DATE: <b>06.07.10</b>
NETAFIM France, Quartier Battesti RN7 Palette 13100 LE THOLONET FRANCE Tel : 33 (0)4 42 66 83 53 Fax : +33 (0)4 42 66 87 86		MANIFOLD DE CONTRERLAVAGE	MANIFOLD DE CONTRERLAVAGE

