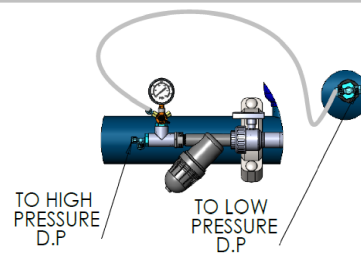


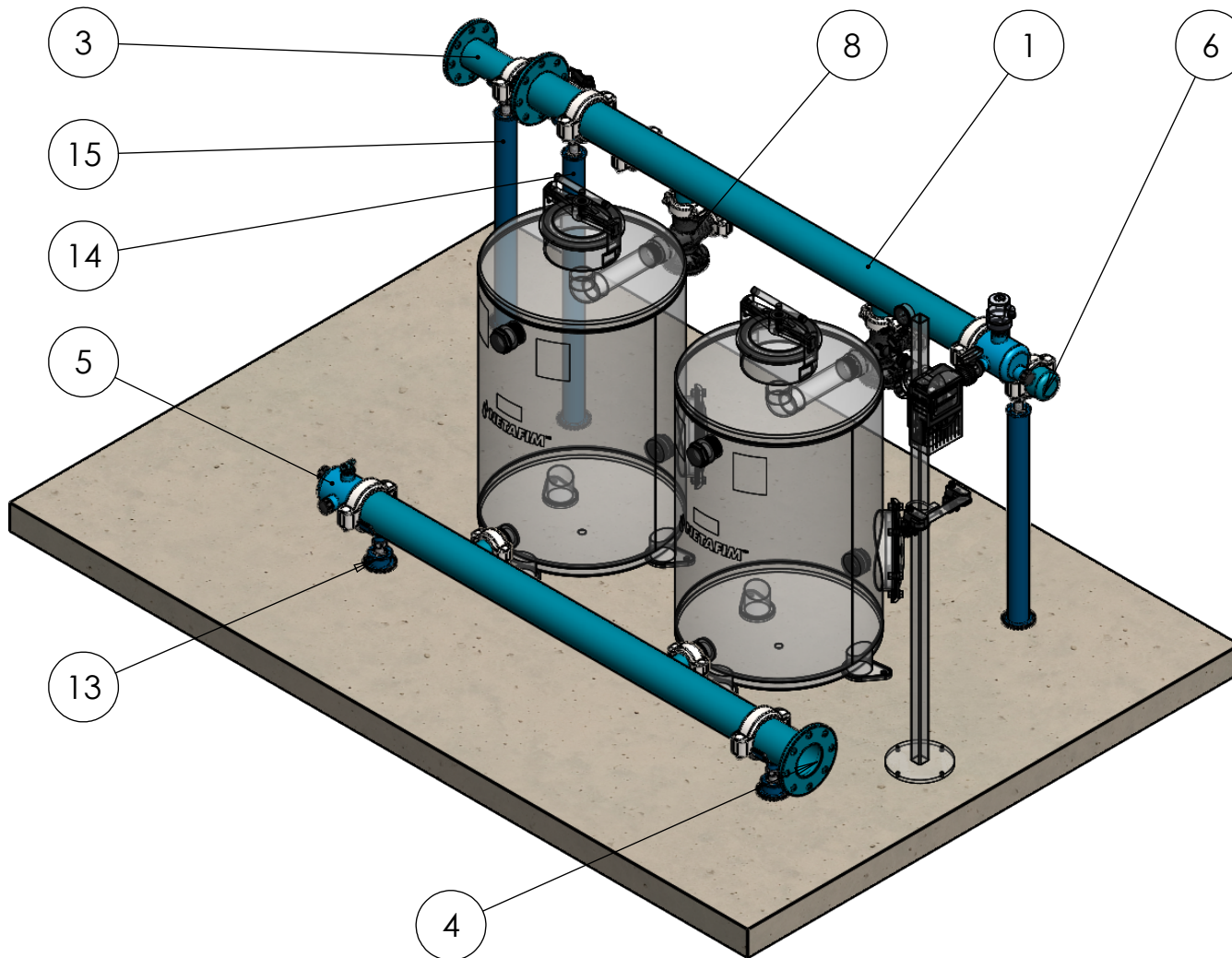
DESCRIPTION: Kit pour station Sandstorm 2 x 24"	
SKU No. 71910-000500	
Inlet Pressure: 8 Bar	
Sheet Size: A4	Scale: 1:20



NETAFIM™

PROPRIETARY AND CONFIDENTIAL
 THE INFORMATION CONTAINED IN THIS DRAWING IS THE SOLE PROPERTY OF NETAFIM. ANY REPRODUCTION IN PART OR AS A WHOLE WITHOUT THE WRITTEN PERMISSION OF NETAFIM IS PROHIBITED

Designed By		
Drawn By	KEREM	20/11/2019
Checked By		
QA		
Sheet: 1	Of: 3	Rev. -



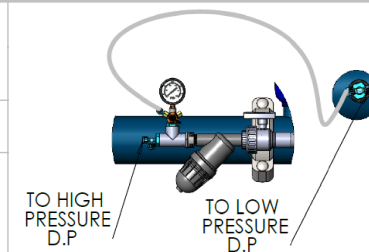
DESCRIPTION: Kit pour station Sandstorm 2 x 24"

SKU No. 71910-000500

Inlet Pressure: 8 Bar

Sheet Size: A4

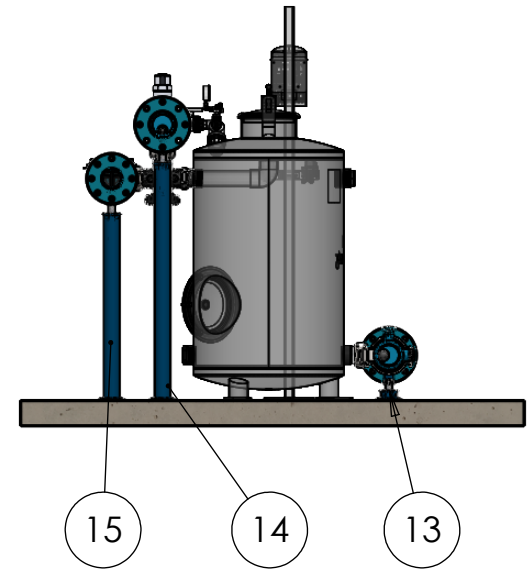
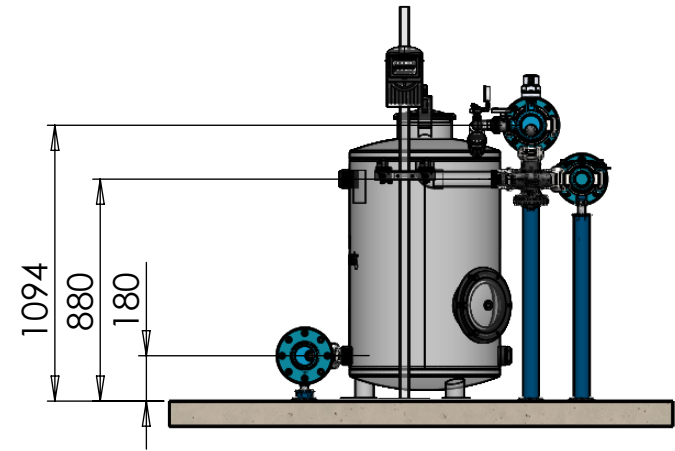
Scale: 1:20


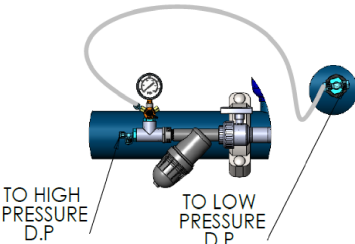


PROPRIETARY AND CONFIDENTIAL
THE INFORMATION CONTAINED IN THIS DRAWING IS THE SOLE PROPERTY OF NETAFIM. ANY REPRODUCTION IN PART OR AS A WHOLE WITHOUT THE WRITTEN PERMISSION OF NETAFIM IS PROHIBITED

Designed By		
Drawn By	KEREM	20/11/2019
Checked By		
QA		
Sheet: 2	Of: 3	Rev. -

ITEM NO.	SAP Description	SAP Cat. No.	QTY.
1	METAL MAN 4"*2 OUT*2" VIC F/24" TANK	71910-001708	2
2	METAL BF MAN 3"*2 OUT*2" VIC F/24" TANK	71910-001707	1
3	METAL TRANSITION 3" ISO FLANGE*VIC	71910-002005	1
4	METAL TRANSITION 4" ISO FLANGE*VIC	71910-002008	2
5	MET CUP 4"VIC W/2 OUT 1"BSP+1 OUT 1"BSP	71910-001801	2
6	METAL CUP 3" VIC	71910-001791	1
7	METAL NIPPLE 3"*200MM VIC/VIC+(3/4" BSP)	71910-008980	1
8	D 52 B.F. F/GRV 2*2 ANG.FLO.BSP/2 ADPTR.	71600-006515	2
9	GALVA. SHORT NIPPLE 2	78200-016500	2
10	VICTAULIC COUPLING 2" ONE BOLT	71910-002500	6
11	VICTAULIC COUPLING 3" ONE BOLT	71910-002501	4
12	VICTAULIC COUPLING 4" ONE BOLT	71910-002502	4
13	SUPPORT LEG 4"-100MM	71910-001899	2
14	SUPPORT LEG 4"-1000MM	71910-001906	1
15	SUPPORT LEG 3"-800MM	71910-001890	2



DESCRIPTION: Kit pour station Sandstorm 2 x 24"		 <p>PROPRIETARY AND CONFIDENTIAL THE INFORMATION CONTAINED IN THIS DRAWING IS THE SOLE PROPERTY OF NETAFIM. ANY REPRODUCTION IN PART OR AS A WHOLE WITHOUT THE WRITTEN PERMISSION OF NETAFIM IS PROHIBITED</p>
SKU No. 71910-000500		
Inlet Pressure: 8 Bar		
Sheet Size: A4	Scale: 1:20	
Designed By		Drawn By: KEREM 20/11/2019
Checked By		QA
Sheet: 3		Of: 3 Rev. -