

SAP DESCRIPTION: Kit pour station Sandstorm 2 x 36"	
SKU No.	71910-000510
Inlet Pressure:	8 Bar
Sheet Size:	A4
Scale:	1:20

NETAFIM™

PROPRIETARY AND CONFIDENTIAL
 THE INFORMATION CONTAINED IN THIS DRAWING IS THE SOLE PROPERTY OF NETAFIM. ANY REPRODUCTION IN PART OR AS A WHOLE WITHOUT THE WRITTEN PERMISSION OF NETAFIM IS PROHIBITED

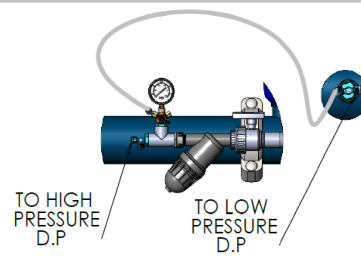
Designed By

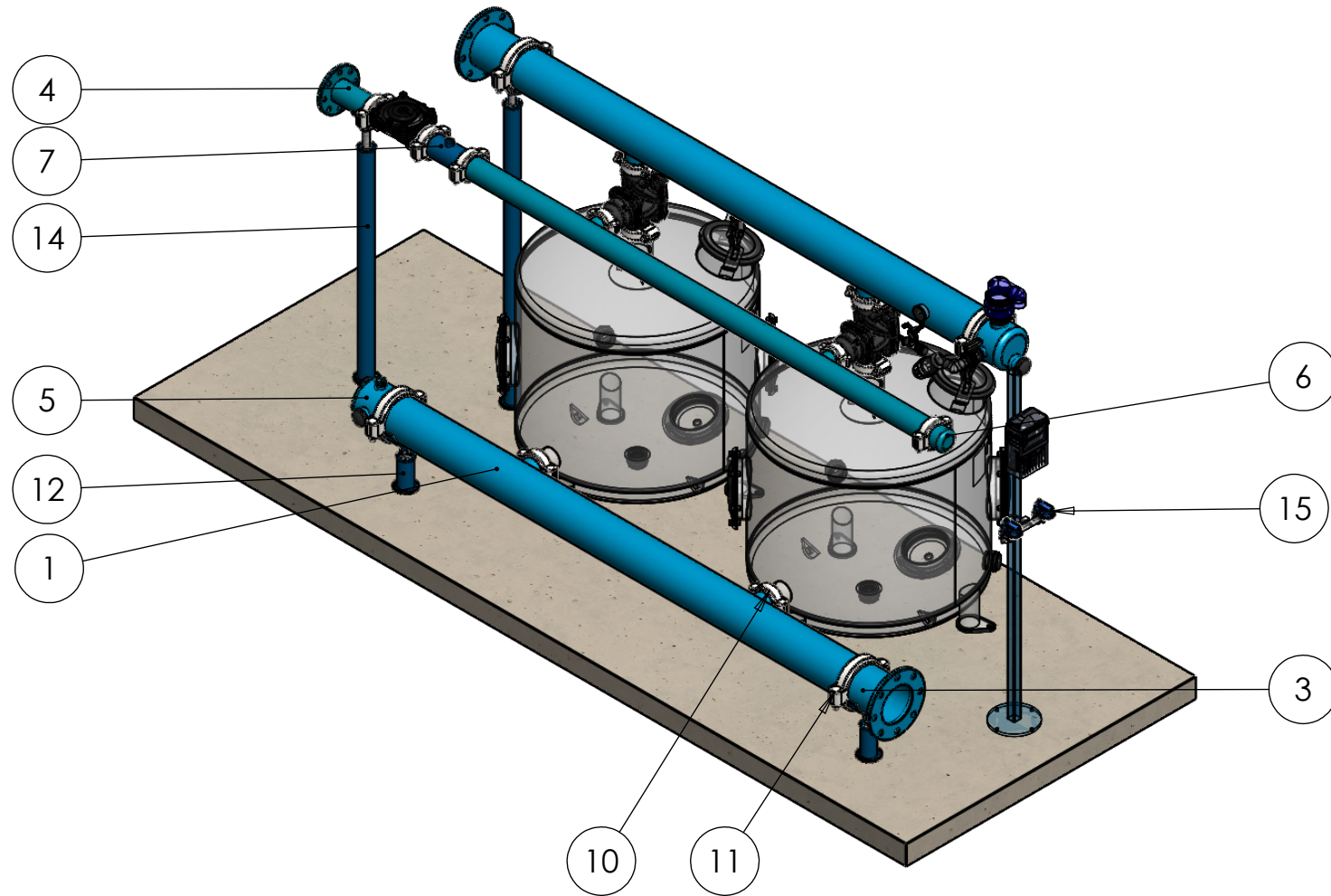
Drawn By: KEREM 21/11/2019

Checked By

QA

Sheet: 1 Of: 3 Rev. -





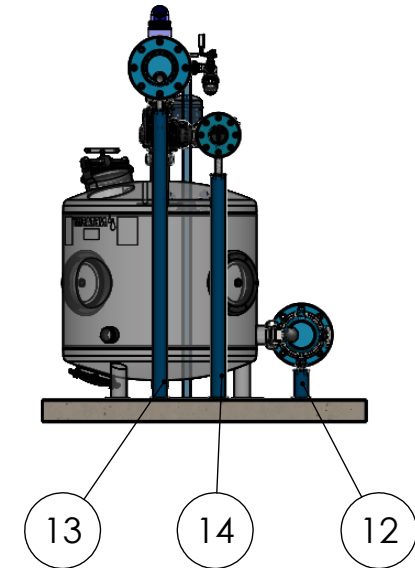
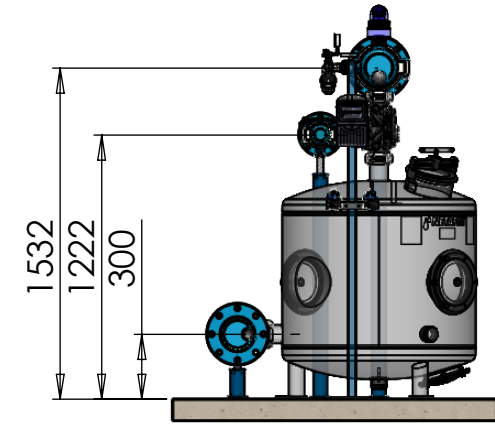
SAP DESCRIPTION: Kit pour station Sandstorm 2 x 36"	
SKU No. 71910-000510	
Inlet Pressure:	8 Bar
Sheet Size:	Scale:
A4	1:25


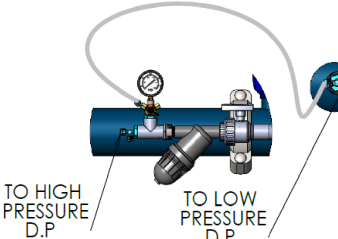
NETAFIM™

PROPRIETARY AND CONFIDENTIAL
 THE INFORMATION CONTAINED IN THIS DRAWING IS THE SOLE PROPERTY OF NETAFIM. ANY REPRODUCTION IN PART OR AS A WHOLE WITHOUT THE WRITTEN PERMISSION OF NETAFIM IS PROHIBITED

Designed By		
Drawn By	KEREM	21/11/2019
Checked By		
QA		
Sheet: 2	Of: 3	Rev. -

ITEM NO.	SAP Description	SAP Cat. No.	QTY.
1	METAL MAN 6"*2 OUT*3" VIC F/30-36" TANK	71910-001710	2
2	METAL BF MAN 3"*2 OUT*2" VIC F/30-36" T	71910-001709	1
3	METAL TRANSITION 6" ISO FLANGE*VIC	71910-002011	2
4	METAL TRANSITION 3" ISO FLANGE*VIC	71910-002005	1
5	MET CUP 6"VIC W/2 OUT 2"BSP+1 OUT 1"BSP	71910-001803	2
6	METAL CUP 3" VIC	71910-001791	1
7	METAL NIPPLE 3"*200MM VIC/VIC+(3/4" BSP)	71910-008980	1
8	NET METAL B.F VALVE 3X2 STRAIGHT VIC	71600-006670	2
9	VICTAULIC COUPLING 2" ONE BOLT	71910-002500	2
10	VICTAULIC COUPLING 3" ONE BOLT	71910-002501	10
11	VICTAULIC COUPLING 6" ONE BOLT	71910-002503	4
12	SUPPORT LEG 6"-200MM	71910-001909	2
13	SUPPORT LEG 6"-1400MM	71910-001960	1
14	SUPPORT LEG 3"-1100MM	71910-001891	1
15	AQUATIVE BRACKET DC 2 SOL-CONF.2	35500-000710	1



SAP DESCRIPTION: Kit pour station Sandstorm 2 x 36"		 <p>PROPRIETARY AND CONFIDENTIAL THE INFORMATION CONTAINED IN THIS DRAWING IS THE SOLE PROPERTY OF NETAFIM. ANY REPRODUCTION IN PART OR AS A WHOLE WITHOUT THE WRITTEN PERMISSION OF NETAFIM IS PROHIBITED</p>
SKU No. 71910-000510		
Inlet Pressure: 8 Bar		Designed By
Sheet Size: A4	Scale: 1:20	Drawn By KEREM 21/11/2019
 <p>TO HIGH PRESSURE D.P.</p> <p>TO LOW PRESSURE D.P.</p>		Checked By
		QA
		Sheet: 3 Of: 3 Rev. -