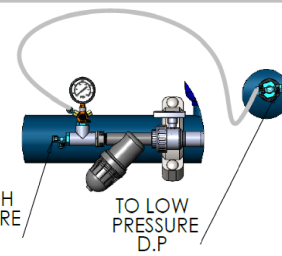


SAP DESCRIPTION: **Kit pour station Sandstorm 3 x 20"**

SKU No. **71910-000501**

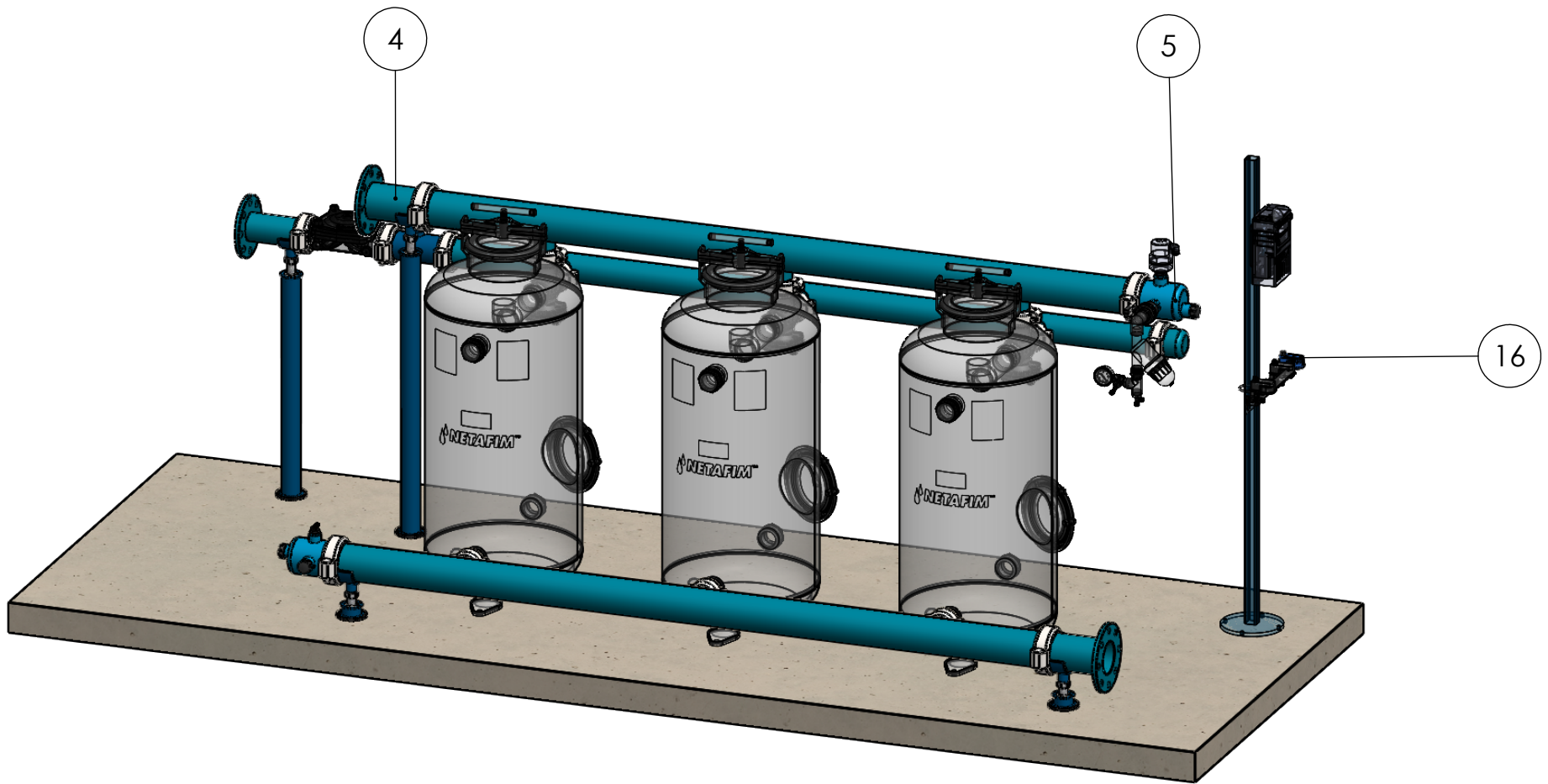
Inlet Pressure: **8 Bar**

Sheet Size: **A4** Scale: **1:15**



PROPRIETARY AND CONFIDENTIAL
 THE INFORMATION CONTAINED IN THIS DRAWING IS THE SOLE PROPERTY OF NETAFIM. ANY REPRODUCTION IN PART OR AS A WHOLE WITHOUT THE WRITTEN PERMISSION OF NETAFIM IS PROHIBITED

| | | |
|-------------|-------|------------|
| Designed By | | |
| Drawn By | KEREM | 06/07/2020 |
| Checked By | | |
| QA | | |
| Sheet: 1 | Of: 3 | Rev. - |

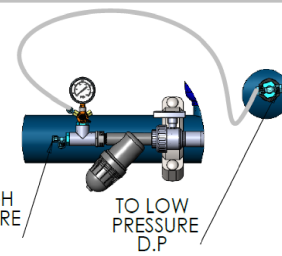


SAP DESCRIPTION: **Kit pour station Sandstorm 3 x 20"**

SKU No. 71910-000501

Inlet Pressure: **8 Bar**

Sheet Size: A4 Scale: 1:20

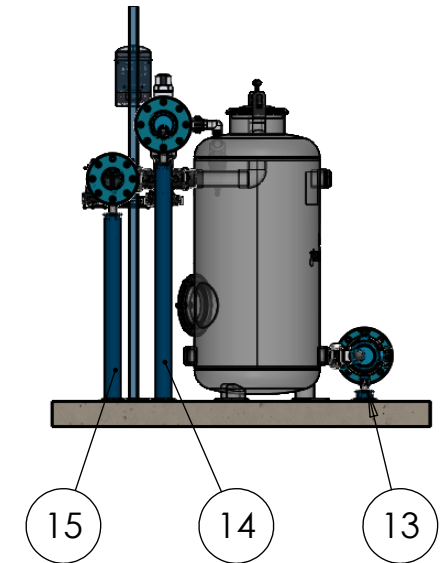
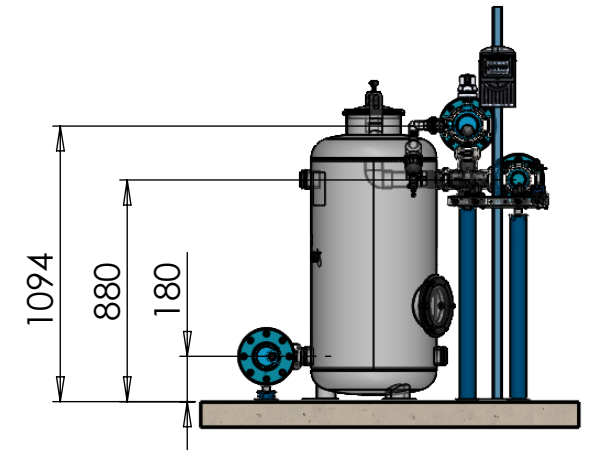



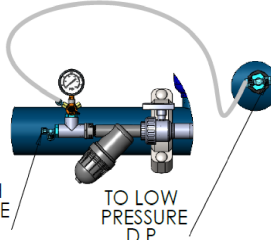
NETAFIM™

PROPRIETARY AND CONFIDENTIAL
 THE INFORMATION CONTAINED IN THIS DRAWING IS THE SOLE PROPERTY OF NETAFIM. ANY REPRODUCTION IN PART OR AS A WHOLE WITHOUT THE WRITTEN PERMISSION OF NETAFIM IS PROHIBITED

| | | |
|-------------|-------|------------|
| Designed By | | |
| Drawn By | KEREM | 06/07/2020 |
| Checked By | | |
| QA | | |
| Sheet: 2 | Of: 3 | Rev. - |

| ITEM NO. | SAP Description | SAP Cat. No. | QTY. |
|----------|--|--------------|------|
| 1 | METAL BF MAN 3"*3 OUT*2" VIC F/24" TANK | 71910-001716 | 1 |
| 2 | METAL MAN 4"*3 OUT*2" VIC F/24" TANK | 71910-001717 | 2 |
| 3 | METAL TRANSITION 3" ISO FLANGE*VIC | 71910-002005 | 1 |
| 4 | METAL TRANSITION 4" ISO FLANGE*VIC | 71910-002008 | 2 |
| 5 | MET CUP 4"VIC W/2 OUT 1"BSP+1 OUT 1"BSP | 71910-001801 | 2 |
| 6 | METAL CUP 3" VIC | 71910-001791 | 1 |
| 7 | METAL NIPPLE 3"*200MM VIC/VIC+(3/4" BSP) | 71910-008980 | 1 |
| 8 | D 52 B.F. F/GRV 2*2 ANG.FLO.BSP/2 ADPTR. | 71600-006515 | 3 |
| 9 | GALVA. SHORT NIPPLE 2 | 78200-016500 | 3 |
| 10 | VICTAULIC COUPLING 2" ONE BOLT | 71910-002500 | 9 |
| 11 | VICTAULIC COUPLING 3" ONE BOLT | 71910-002501 | 4 |
| 12 | VICTAULIC COUPLING 4" ONE BOLT | 71910-002502 | 4 |
| 13 | SUPPORT LEG 4"-100MM | 71910-001899 | 2 |
| 14 | SUPPORT LEG 4"-1000MM | 71910-001906 | 1 |
| 15 | SUPPORT LEG 3"-800MM | 71910-001890 | 1 |
| 16 | AQUATIV DC(CV 606)SINGLE KIT CONF 2 3MM | 35500-001925 | 3 |



| | | |
|---|--|--|
| SAP DESCRIPTION: Kit pour station Sandstorm 3 x 20" | |  <p>PROPRIETARY AND CONFIDENTIAL THE INFORMATION CONTAINED IN THIS DRAWING IS THE SOLE PROPERTY OF NETAFIM. ANY REPRODUCTION IN PART OR AS A WHOLE WITHOUT THE WRITTEN PERMISSION OF NETAFIM IS PROHIBITED</p> |
| SKU No. 71910-000501 | | |
|  | | Designed By |
| Inlet Pressure: 8 Bar | Drawn By KEREM 06/07/2020 Checked By QA Sheet: 3 Of: 3 Rev. - | |
| Sheet Size: A4 | | Scale: 1:30 |