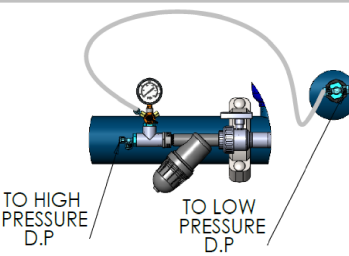


SAP DESCRIPTION: **Kit pour station Sandstorm 3 x 24"**

SKU No. **71910-000501**

Inlet Pressure: **8 Bar**

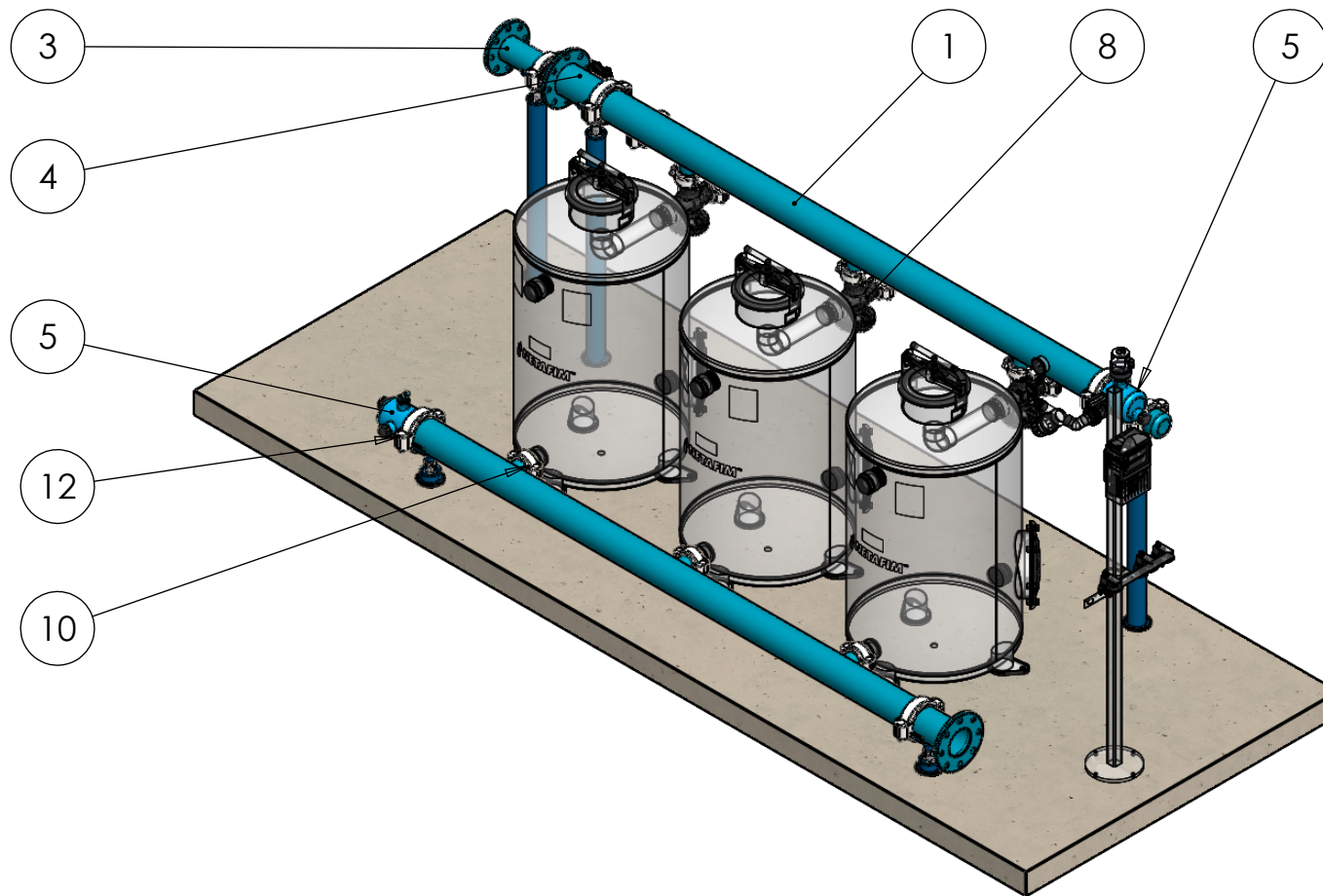
Sheet Size: **A4** Scale: **1:20**



NETAFIM™

PROPRIETARY AND CONFIDENTIAL
 THE INFORMATION CONTAINED IN THIS DRAWING IS THE SOLE PROPERTY OF NETAFIM. ANY REPRODUCTION IN PART OR AS A WHOLE WITHOUT THE WRITTEN PERMISSION OF NETAFIM IS PROHIBITED

Designed By		
Drawn By	KEREM	20/11/2019
Checked By		
QA		
Sheet: 1	Of: 3	Rev. -



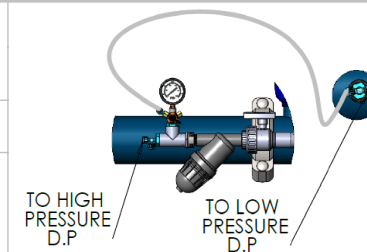
SAP DESCRIPTION: Kit pour station Sandstorm 3 x 24"

SKU No. 71910-000501

Inlet Pressure: 8 Bar

Sheet Size: A4

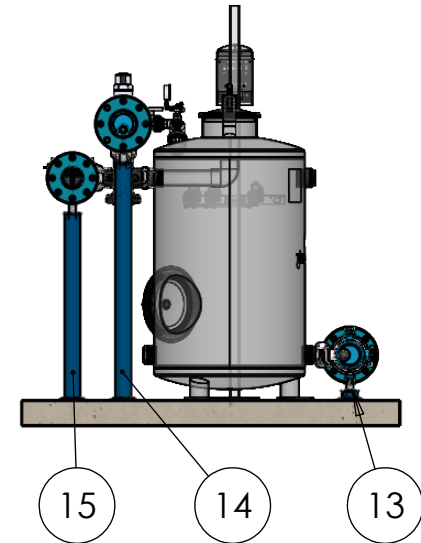
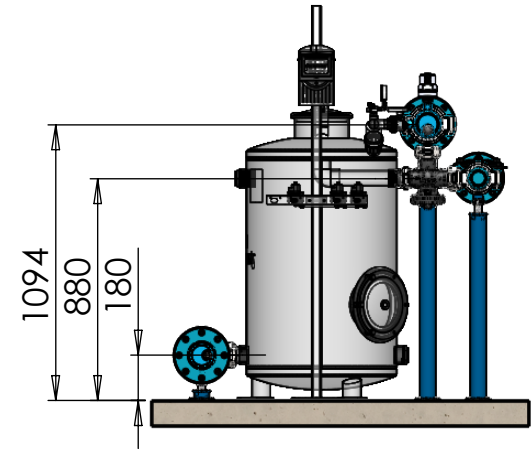
Scale: 1:25


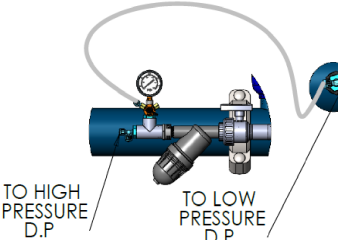


PROPRIETARY AND CONFIDENTIAL
 THE INFORMATION CONTAINED IN THIS DRAWING IS THE SOLE PROPERTY OF NETAFIM. ANY REPRODUCTION IN PART OR AS A WHOLE WITHOUT THE WRITTEN PERMISSION OF NETAFIM IS PROHIBITED

Designed By		
Drawn By	KEREM	20/11/2019
Checked By		
QA		
Sheet: 2	Of: 3	Rev. -

ITEM NO.	SAP Description	SAP Cat. No.	QTY.
1	METAL MAN 4"*3 OUT*2" VIC F/24" TANK	71910-001717	2
2	METAL BF MAN 3"*3 OUT*2" VIC F/24" TANK	71910-001716	1
3	METAL TRANSITION 3" ISO FLANGE*VIC	71910-002005	1
4	METAL TRANSITION 4" ISO FLANGE*VIC	71910-002008	2
5	MET CUP 4"VIC W/2 OUT 1"BSP+1 OUT 1"BSP	71910-001801	2
6	METAL CUP 3" VIC	71910-001791	1
7	METAL NIPPLE 3"*200MM VIC/VIC+(3/4" BSP)	71910-008980	1
8	D 52 B.F. F/GRV 2*2 ANG.FLO.BSP/2 ADPTR.	71600-006515	3
9	GALVA. SHORT NIPPLE 2	78200-016500	3
10	VICTAULIC COUPLING 2" ONE BOLT	71910-002500	9
11	VICTAULIC COUPLING 3" ONE BOLT	71910-002501	4
12	VICTAULIC COUPLING 4" ONE BOLT	71910-002502	4
13	SUPPORT LEG 4"-100MM	71910-001899	2
14	SUPPORT LEG 4"-1000MM	71910-001906	1
15	SUPPORT LEG 3"-800MM	71910-001890	2



SAP DESCRIPTION: Kit pour station Sandstorm 3 x 24"		 <p>PROPRIETARY AND CONFIDENTIAL THE INFORMATION CONTAINED IN THIS DRAWING IS THE SOLE PROPERTY OF NETAFIM. ANY REPRODUCTION IN PART OR AS A WHOLE WITHOUT THE WRITTEN PERMISSION OF NETAFIM IS PROHIBITED</p>
SKU No. 71910-000501		
Inlet Pressure: 8 Bar		Designed By
Sheet Size: A4	Scale: 1:20	Drawn By: KEREM 20/11/2019
 <p>TO HIGH PRESSURE D.P.</p> <p>TO LOW PRESSURE D.P.</p>		Checked By
		QA
		Sheet: 3 Of: 3 Rev. -