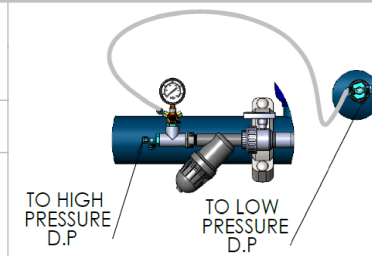


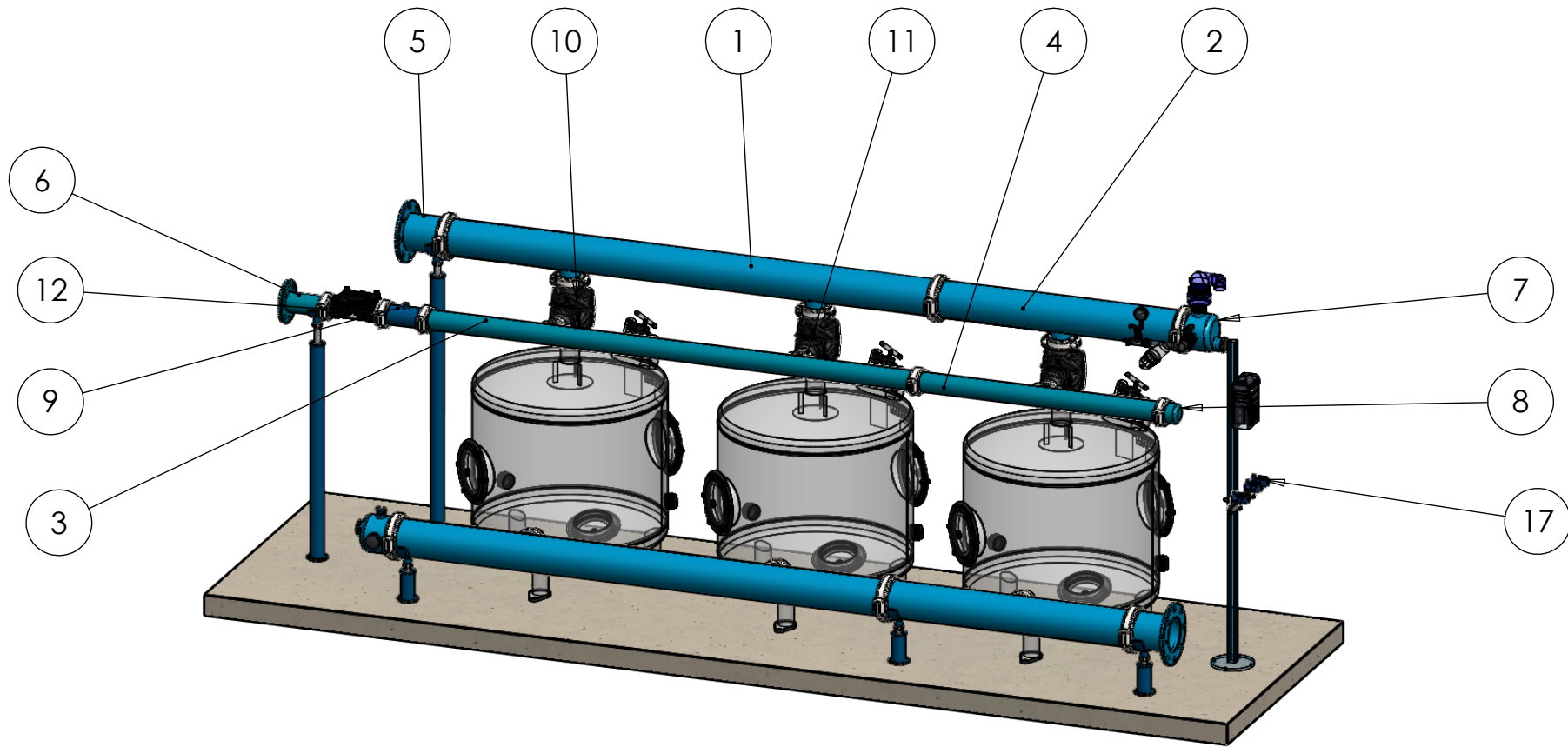
SAP DESCRIPTION: Kit pour station Sandstorm 3 x 36"	
SKU No.	71910-000511
Inlet Pressure:	8 Bar
Sheet Size:	A4
Scale:	1:20

NETAFIM™

PROPRIETARY AND CONFIDENTIAL
 THE INFORMATION CONTAINED IN THIS DRAWING IS THE SOLE PROPERTY OF NETAFIM. ANY REPRODUCTION IN PART OR AS A WHOLE WITHOUT THE WRITTEN PERMISSION OF NETAFIM IS PROHIBITED

Designed By		
Drawn By	KEREM	21/11/2019
Checked By		
QA		
Sheet: 1	Of: 3	Rev. -





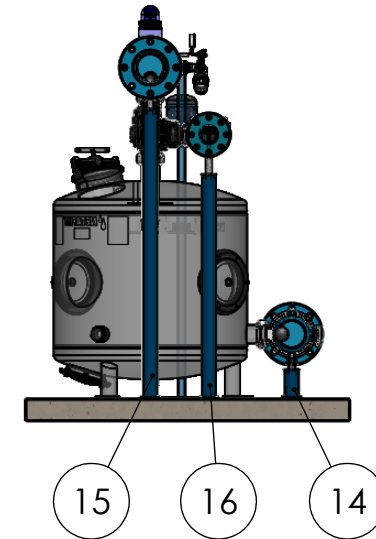
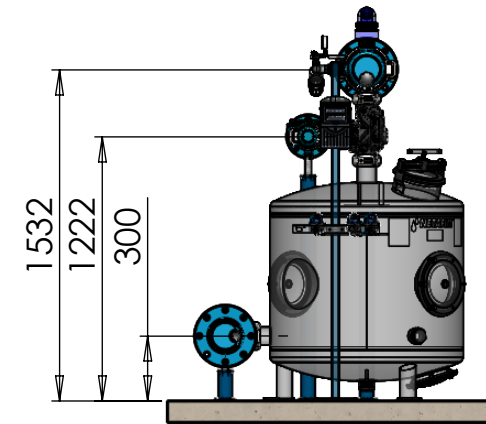
SAP DESCRIPTION: Kit pour station Sandstorm 3 x 36"	
SKU No. 71910-000511	
Inlet Pressure: 8 Bar	
Sheet Size: A4	Scale: 1:30


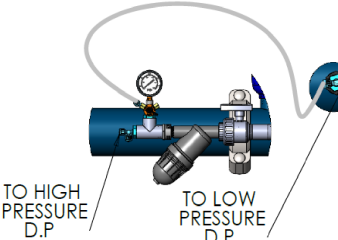
NETAFIM™

PROPRIETARY AND CONFIDENTIAL
 THE INFORMATION CONTAINED IN THIS DRAWING IS THE SOLE PROPERTY OF NETAFIM. ANY REPRODUCTION IN PART OR AS A WHOLE WITHOUT THE WRITTEN PERMISSION OF NETAFIM IS PROHIBITED

Designed By		
Drawn By	KEREM	21/11/2019
Checked By		
QA		
Sheet: 2	Of: 3	Rev. -

ITEM NO.	SAP Description	SAP Cat. No.	QTY.
1	METAL MAN 6"*2 OUT*3" VIC F/30-36" TANK	71910-001710	2
2	METAL MAN 6"*1 OUT*3" VIC F/30-36" TANK	71910-001701	2
3	METAL BF MAN 3"*2 OUT*2" VIC F/30-36" T	71910-001709	1
4	METAL BF MAN 3"*1 OUT*2" VIC F/30-36" T	71910-001700	1
5	METAL TRANSITION 6" ISO FLANGE*VIC	71910-002011	2
6	METAL TRANSITION 3" ISO FLANGE*VIC	71910-002005	1
7	MET CUP 6"VIC W/2 OUT 2"BSP+1 OUT 1"BSP	71910-001803	2
8	METAL CUP 3" VIC	71910-001791	1
9	METAL NIPPLE 3"*200MM VIC/VIC+(3/4" BSP)	71910-008980	1
10	NET METAL B.F VALVE 3X2 STRAIGHT VIC	71600-006670	3
11	VICTAULIC COUPLING 2" ONE BOLT	71910-002500	3
12	VICTAULIC COUPLING 3" ONE BOLT	71910-002501	14
13	VICTAULIC COUPLING 6" ONE BOLT	71910-002503	6
14	SUPPORT LEG 6"-200MM	71910-001909	3
15	SUPPORT LEG 6"-1400MM	71910-001960	2
16	SUPPORT LEG 3"-1100MM	71910-001891	2
17	AQUATIVE BRACKET DC 3 SOL-CONF.2	35500-000711	1



SAP DESCRIPTION: Kit pour station Sandstorm 3 x 36"		 <p>PROPRIETARY AND CONFIDENTIAL THE INFORMATION CONTAINED IN THIS DRAWING IS THE SOLE PROPERTY OF NETAFIM. ANY REPRODUCTION IN PART OR AS A WHOLE WITHOUT THE WRITTEN PERMISSION OF NETAFIM IS PROHIBITED</p>
SKU No. 71910-000511		
Inlet Pressure: 8 Bar		Designed By
Sheet Size: A4	Scale: 1:20	Drawn By KEREM 21/11/2019
 <p>TO HIGH PRESSURE D.P.</p> <p>TO LOW PRESSURE D.P.</p>		Checked By
		QA
Sheet: 3 Of: 3 Rev. -		