

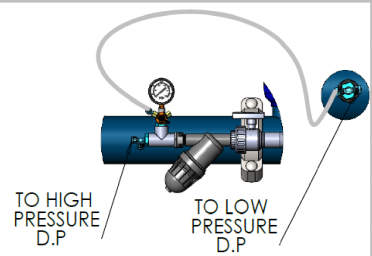
SAP DESCRIPTION: **Station Sandstorm 2 x 30''**

SKU No. **71910-003405**

Maximum Flow Rate: 70 m<sup>3</sup>/h  
 Recommended Flow Rate: 54 m<sup>3</sup>/h

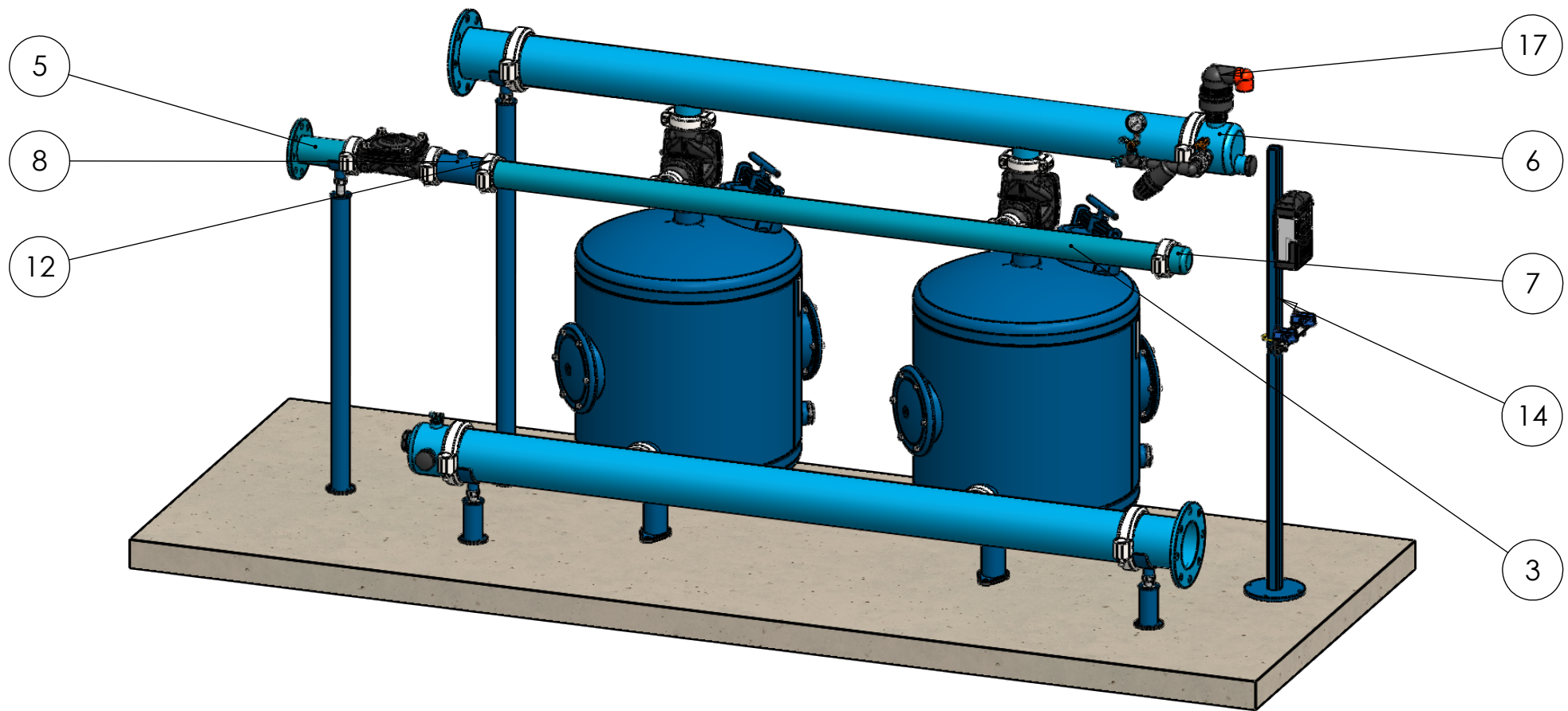
Inlet Pressure: **8 Bar**

Sheet Size: **A4**      Scale: **1:20**



**PROPRIETARY AND CONFIDENTIAL**  
 THE INFORMATION CONTAINED IN THIS DRAWING IS THE SOLE PROPERTY OF NETAFIM. ANY REPRODUCTION IN PART OR AS A WHOLE WITHOUT THE WRITTEN PERMISSION OF NETAFIM IS PROHIBITED

|             |       |            |
|-------------|-------|------------|
| Designed By |       |            |
| Drawn By    | KEREM | 28/11/2019 |
| Checked By  |       |            |
| QA          |       |            |
| Sheet: 1    | Of: 3 | Rev. -     |



SAP DESCRIPTION: **Station Sandstorm 2 x 30''**

SKU No. **71910-003405**

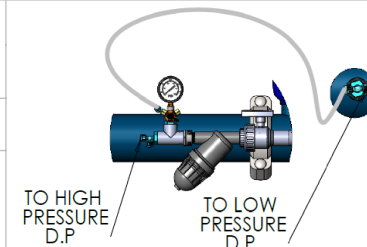
Maximum Flow Rate: 70 m<sup>3</sup>/h

Recommended Flow Rate: 54 m<sup>3</sup>/h

Inlet Pressure: **8 Bar**

Sheet Size:  
A4

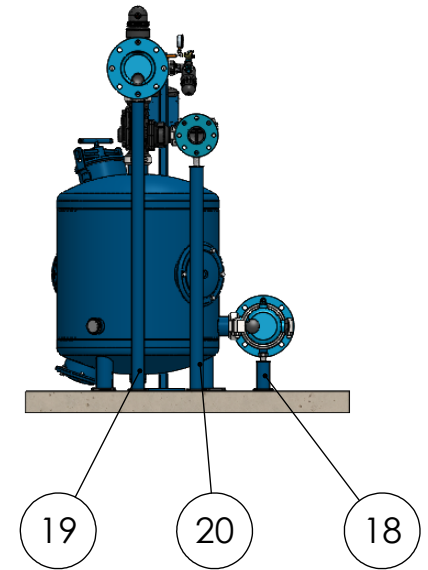
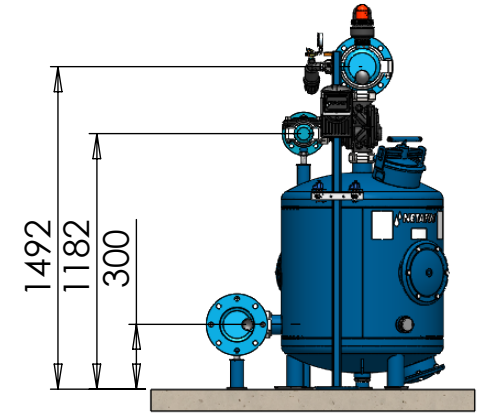
Scale:  
1:20


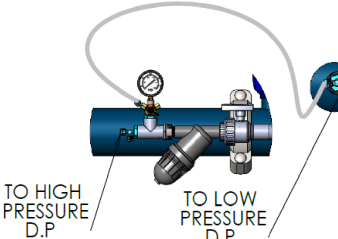


**PROPRIETARY AND CONFIDENTIAL**  
THE INFORMATION CONTAINED IN THIS DRAWING IS THE SOLE PROPERTY OF NETAFIM. ANY REPRODUCTION IN PART OR AS A WHOLE WITHOUT THE WRITTEN PERMISSION OF NETAFIM IS PROHIBITED

|             |       |            |
|-------------|-------|------------|
| Designed By |       |            |
| Drawn By    | KEREM | 28/11/2019 |
| Checked By  |       |            |
| QA          |       |            |
| Sheet: 2    | Of: 3 | Rev. -     |

| ITEM NO. | SAP Description                          | SAP Cat. No. | QTY. |
|----------|--|--------------|------|
| 1        | METAL DBL.CHA.PLUS 30"*3" VIC PN08       | 71910-010041 | 2    |
| 2        | METAL MAN 6"*2 OUT*3" VIC F/30-36" TANK  | 71910-001710 | 2    |
| 3        | METAL BF MAN 3"*2 OUT*2" VIC F/30-36" T  | 71910-001709 | 1    |
| 4        | METAL TRANSITION 6" ISO FLANGE*VIC       | 71910-002011 | 2    |
| 5        | METAL TRANSITION 3" ISO FLANGE*VIC       | 71910-002005 | 1    |
| 6        | MET CUP 6"VIC W/2 OUT 2"BSP+1 OUT 1"BSP  | 71910-001803 | 2    |
| 7        | METAL CUP 3" VIC                         | 71910-001791 | 1    |
| 8        | METAL NIPPLE 3"*200MM VIC/VIC+(3/4" BSP) | 71910-008980 | 1    |
| 9        | NET METAL B.F VALVE 3X2 STRAIGHT VIC     | 71600-006670 | 2    |
| 10       | S100CI 3" FCV+ORIFICE 20"-36"            | 71600-003417 | 1    |
| 11       | VICTAULIC COUPLING 2" ONE BOLT           | 71910-002500 | 2    |
| 12       | VICTAULIC COUPLING 3" ONE BOLT           | 71910-002501 | 10   |
| 13       | VICTAULIC COUPLING 6" TWO BOLT           | 71910-002503 | 4    |
| 14       | Control Stand                            | 71910-000100 | 1    |
| 15       | CONTROL KIT FOR MEDIA FILTER - BSP       | 37090-009600 | 1    |
| 16       | AQUATIVE BRACKET DC 2 SOL-CONF.2         | 35500-000710 | 1    |
| 17       | BARAK PLASTIC BASE 2" DG-010 (BSPT) NFR  | 70500-001180 | 1    |
| 18       | SUPPORT LEG 6"-200MM                     | 71910-001909 | 2    |
| 19       | SUPPORT LEG 6"-1400MM                    | 71910-001960 | 1    |
| 20       | SUPPORT LEG 3"-1100MM                    | 71910-001891 | 1    |
| 21       | FLUSHING CONTR. DC 6 OUT.+DP SENS.       | 73240-003179 | 1    |
| 22       | PE 8MM W/1 RED STRIPE - 100M             | 40000-013000 | 1    |
| 23       | ACCESS KIT FOR METAL 20"/24" 4"+3" GASK. | 37090-009730 | 1    |
| 24       | POWER SUPPLY 100-240VAC/12VDC            | 73240-007240 | 1    |



|   |                      |  |
|---|----------------------|--|
| SAP DESCRIPTION: <b>Station Sandstorm 2 x 30"</b> |                      |  <p><b>PROPRIETARY AND CONFIDENTIAL</b><br/>THE INFORMATION CONTAINED IN THIS DRAWING IS THE SOLE PROPERTY OF NETAFIM. ANY REPRODUCTION IN PART OR AS A WHOLE WITHOUT THE WRITTEN PERMISSION OF NETAFIM IS PROHIBITED</p> |
| SKU No.   | <b>71910-003405</b>  |  |
| Maximum Flow Rate:                                | 70 m <sup>3</sup> /h |   |
| Recommended Flow Rate:                            | 54 m <sup>3</sup> /h |  |
| Inlet Pressure:                                   | <b>8 Bar</b>         | Designed By  |
| Sheet Size:                                       | A4                   | Scale:   |
|   |                      | 1:35   |
|   |                      | Drawn By   |
|   |                      | KEREM  |
|   |                      | 28/11/2019   |
|   |                      | Checked By   |
|   |                      | QA   |
|   |                      | Sheet: 3   |
|   |                      | Of: 3  |
|   |                      | Rev. -   |