

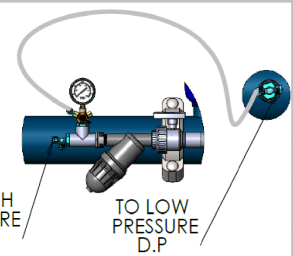
SAP DESCRIPTION: **Station Sandstorm 5 x 24"**

SKU No. **71910-003305**

Maximum Flow Rate: 110 m³/h
 Recommended Flow Rate: 85 m³/h

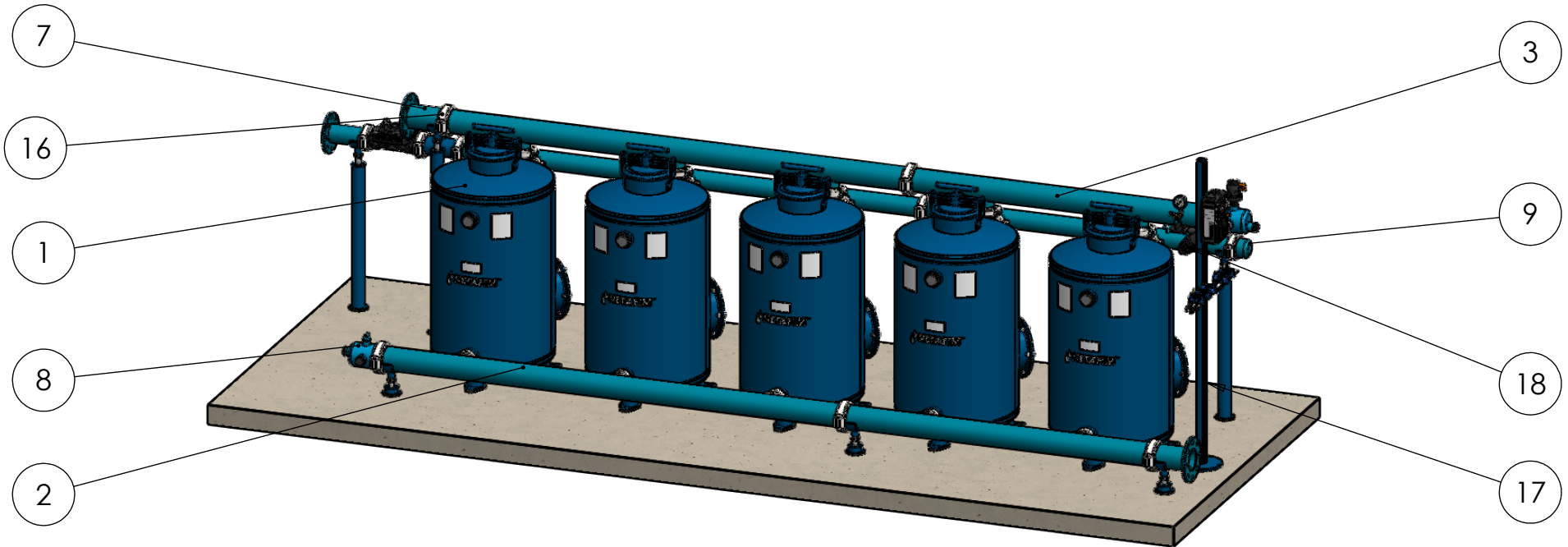
Inlet Pressure: **8 Bar**


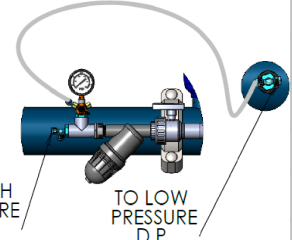
Sheet Size: **A4** Scale: **1:25**



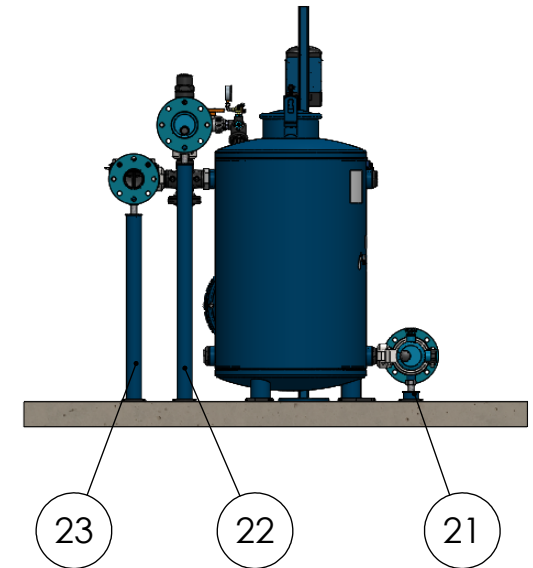
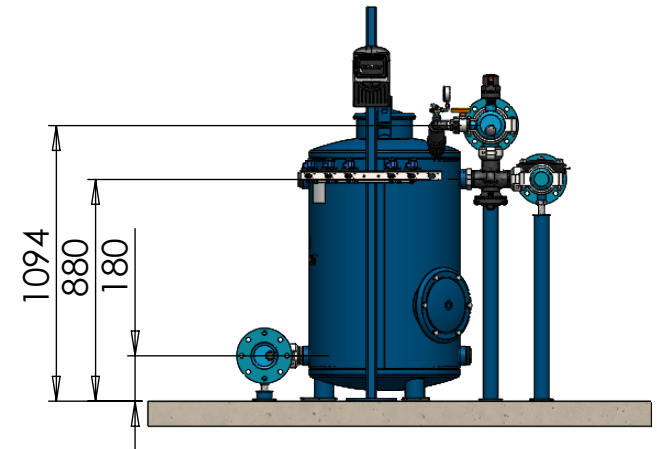
PROPRIETARY AND CONFIDENTIAL
 THE INFORMATION CONTAINED IN THIS DRAWING IS THE SOLE PROPERTY OF NETAFIM. ANY REPRODUCTION IN PART OR AS A WHOLE WITHOUT THE WRITTEN PERMISSION OF NETAFIM IS PROHIBITED


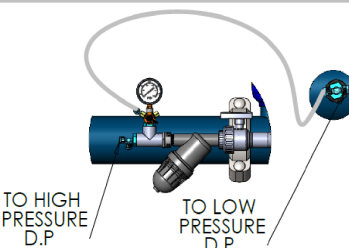
Designed By		
Drawn By	KEREM	26/11/2019
Checked By		
QA		
Sheet: 1	Of: 3	Rev. -



SAP DESCRIPTION: Station Sandstorm 5 x 24"		 <p>PROPRIETARY AND CONFIDENTIAL THE INFORMATION CONTAINED IN THIS DRAWING IS THE SOLE PROPERTY OF NETAFIM. ANY REPRODUCTION IN PART OR AS A WHOLE WITHOUT THE WRITTEN PERMISSION OF NETAFIM IS PROHIBITED</p>
SKU No.	71910-003305	
Maximum Flow Rate:	110 m ³ /h	
Recommended Flow Rate:	85 m ³ /h	
Inlet Pressure:	8 Bar	Designed By
Sheet Size:	A4	Scale:
		1:30
		Drawn By
		KEREM
		26/11/2019
		Checked By
		QA
Sheet:	2	Of:
		3
Rev.:	-	

ITEM NO.	SAP Description	SAP Cat. No.	QTY.
1	METAL DBL.CHA.PLUS 24"*2" BSP PN08	71910-010036	5
2	METAL MAN 4"*3 OUT*2" VIC F/24" TANK	71910-001717	2
3	METAL MAN 4"*2 OUT*2" VIC F/24" TANK	71910-001708	2
4	METAL BF MAN 3"*3 OUT*2" VIC F/24" TANK	71910-001716	1
5	METAL BF MAN 3"*2 OUT*2" VIC F/24" TANK	71910-001707	1
6	METAL TRANSITION 3" ISO FLANGE*VIC	71910-002005	1
7	METAL TRANSITION 4" ISO FLANGE*VIC	71910-002008	2
8	MET CUP 4"VIC W/2 OUT 1"BSP+1 OUT 1"BSP	71910-001801	2
9	METAL CUP 3" VIC	71910-001791	1
10	METAL NIPPLE 3"*200MM VIC/VIC+(3/4" BSP)	71910-008980	1
11	D 52 B.F. F/GRV 2*2 ANG.FLO.BSP/2 ADPTR.	71600-006515	5
12	S100CI 3" FCV+ORIFICE 20"-36"	71600-003417	1
13	GALVA. SHORT NIPPLE 2	78200-016500	5
14	VICTAULIC COUPLING 2" ONE BOLT	71910-002500	15
15	VICTAULIC COUPLING 3" ONE BOLT	71910-002501	5
16	VICTAULIC COUPLING 4" ONE BOLT	71910-002502	6
17	Control Stand	71910-000100	1
18	CONTROL KIT FOR MEDIA FILTER - BSP	37090-009600	1
19	AQUATIVE BRACKET DC 5 SOL-CONF.2	35500-000713	1
20	BARAK 1" PP DG-10 PN10 NFR	70500-000630	1
21	SUPPORT LEG 4"-100MM	71910-001899	3
22	SUPPORT LEG 4"-1000MM	71910-001906	2
23	SUPPORT LEG 3"-800MM	71910-001890	2
24	FLUSHING CONTR. DC 6 OUT.+DP SENS.	73240-003179	1
25	PE 8MM W/1 RED STRIPE - 100M	40000-013000	1
26	ACCESS KIT FOR METAL 20"/24" 4"+3" GASK.	37090-009730	1
27	POWER SUPPLY 100-240VAC/12VDC	73240-007240	1



SAP DESCRIPTION: Station Sandstorm 5 x 24"		 <p>PROPRIETARY AND CONFIDENTIAL THE INFORMATION CONTAINED IN THIS DRAWING IS THE SOLE PROPERTY OF NETAFIM. ANY REPRODUCTION IN PART OR AS A WHOLE WITHOUT THE WRITTEN PERMISSION OF NETAFIM IS PROHIBITED</p>
SKU No.	71910-003305	
Maximum Flow Rate:	110 m ³ /h	
Recommended Flow Rate:	85 m ³ /h	
Inlet Pressure:	8 Bar	Designed By
Sheet Size:	A4	Scale:
	1:30	Drawn By
		Checked By
		QA
		Sheet: 3 Of: 3 Rev. -